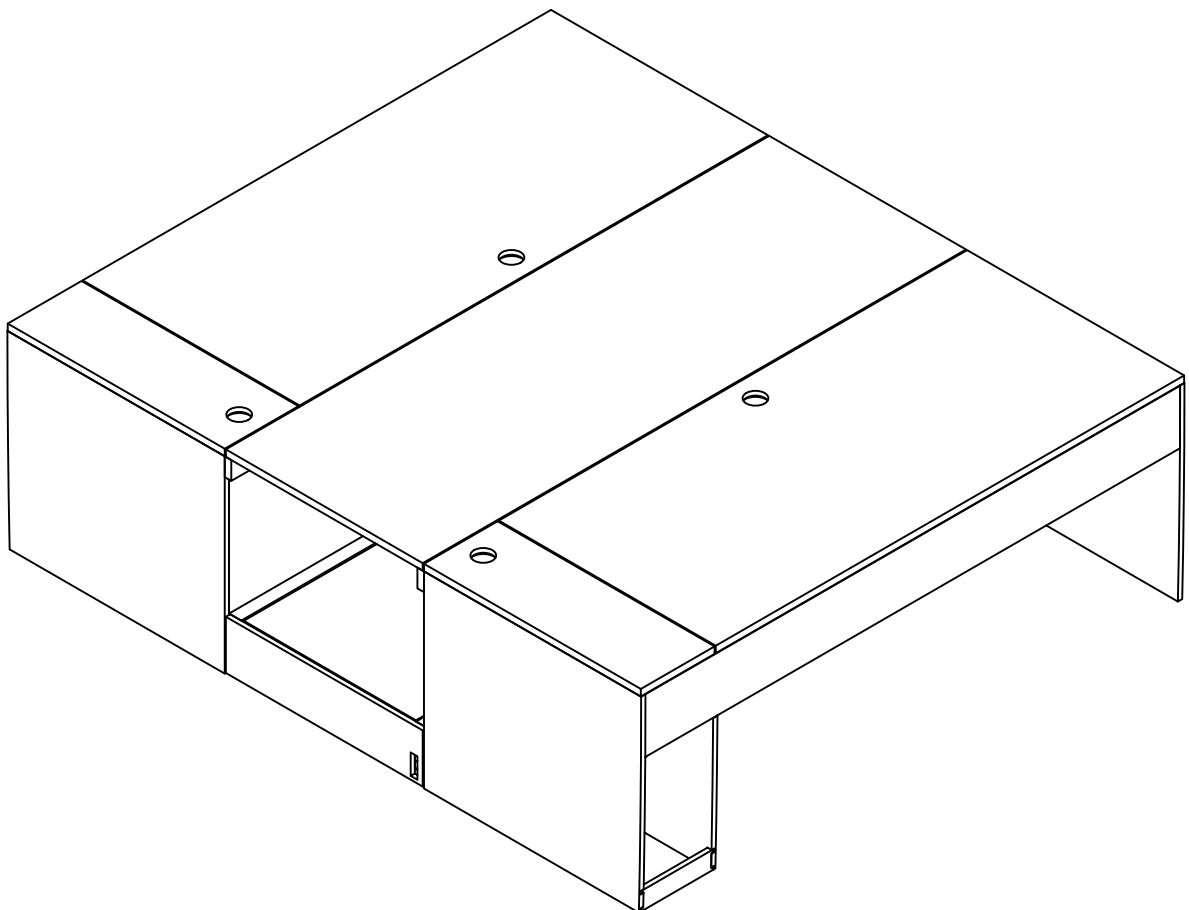
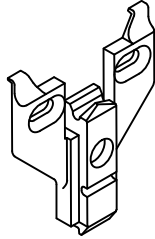


Sprinter, Transit, or Promaster Van Dinette Conversion

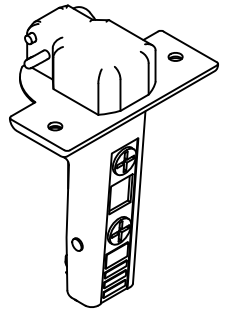




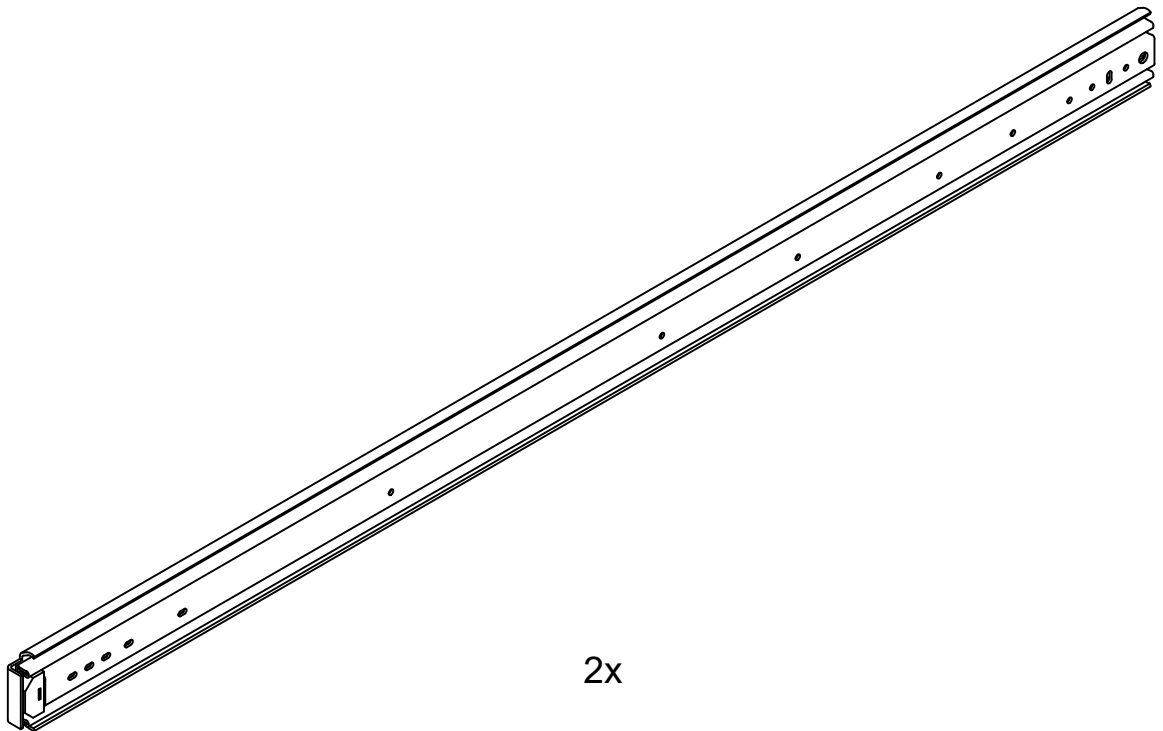
97x



18x

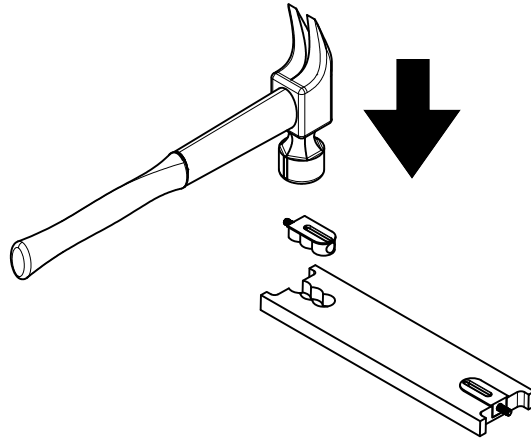


18x

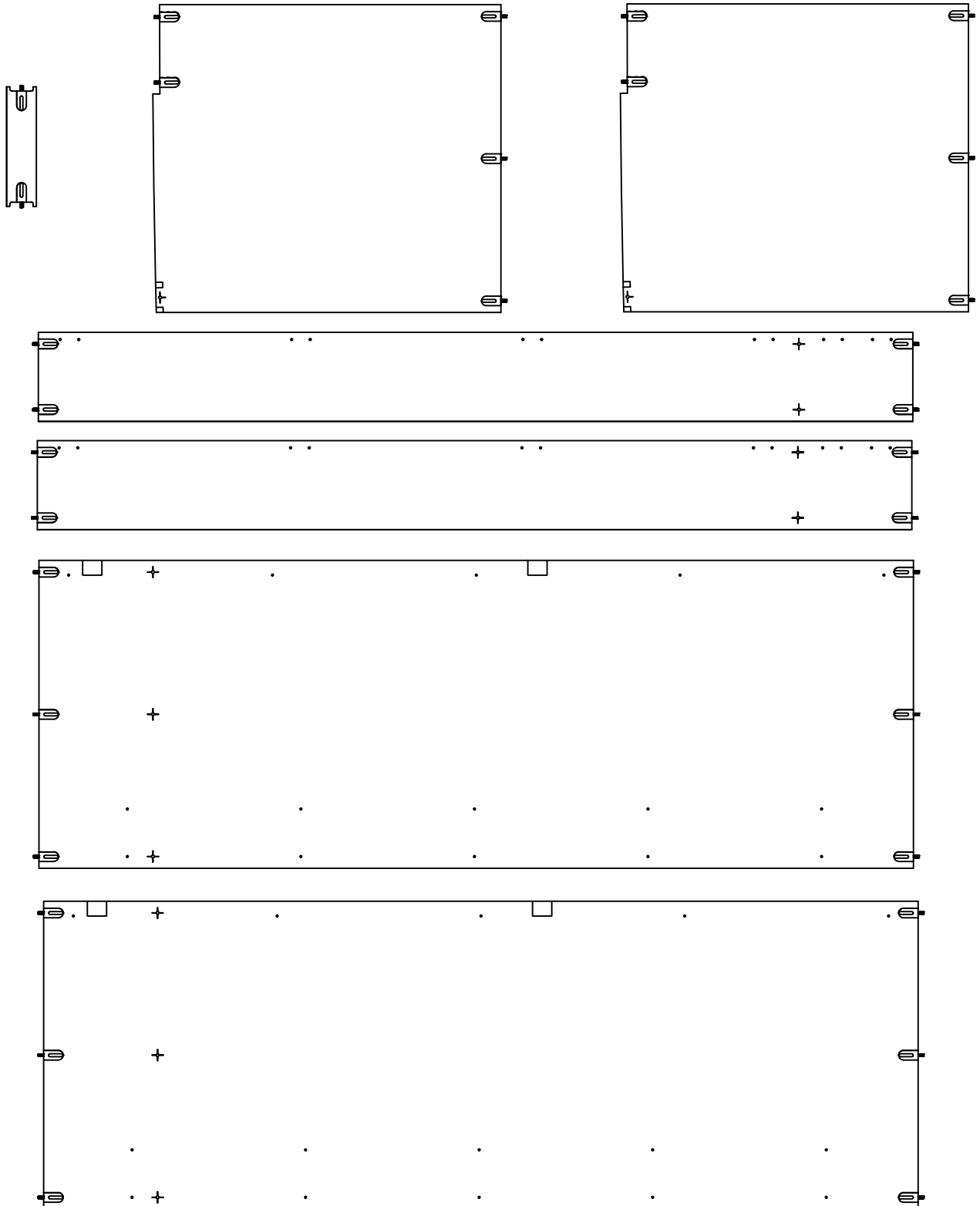


2x

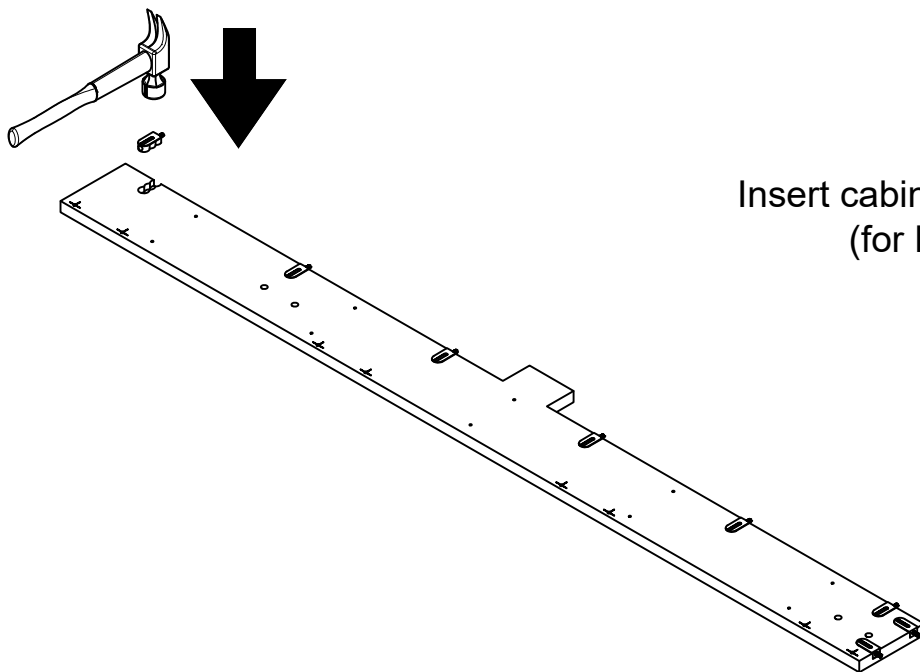
Step 1



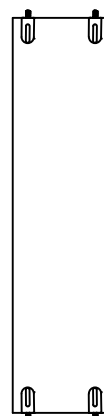
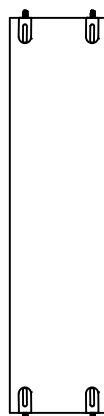
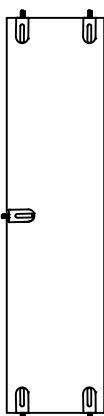
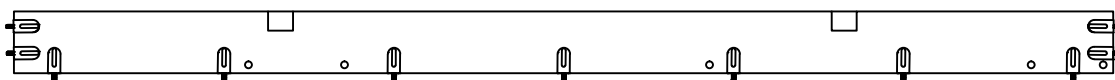
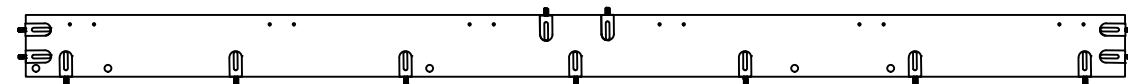
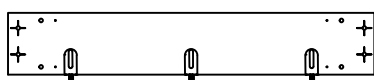
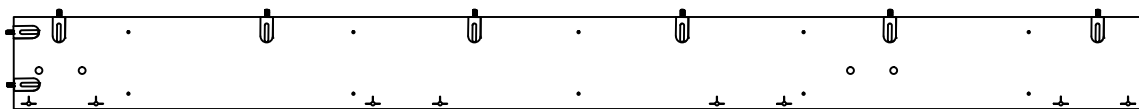
Insert cabineos into places
(for Boxes)



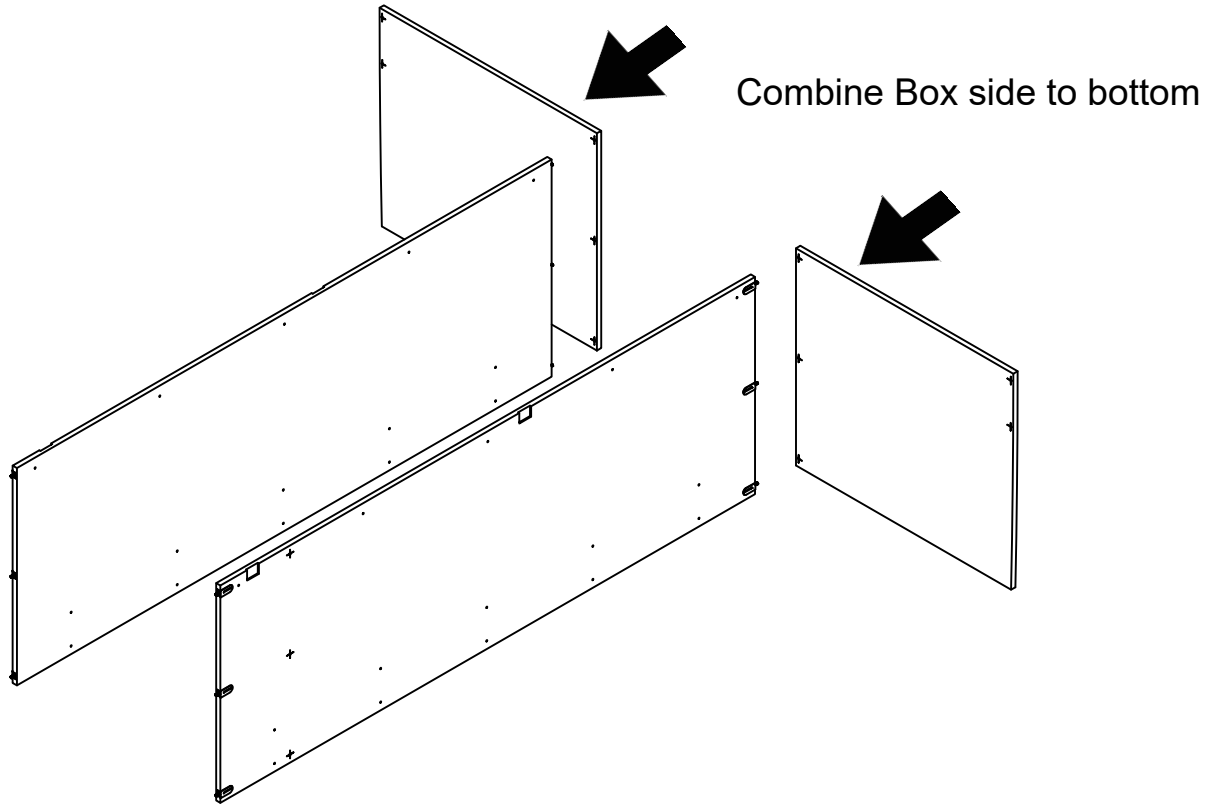
Step 2



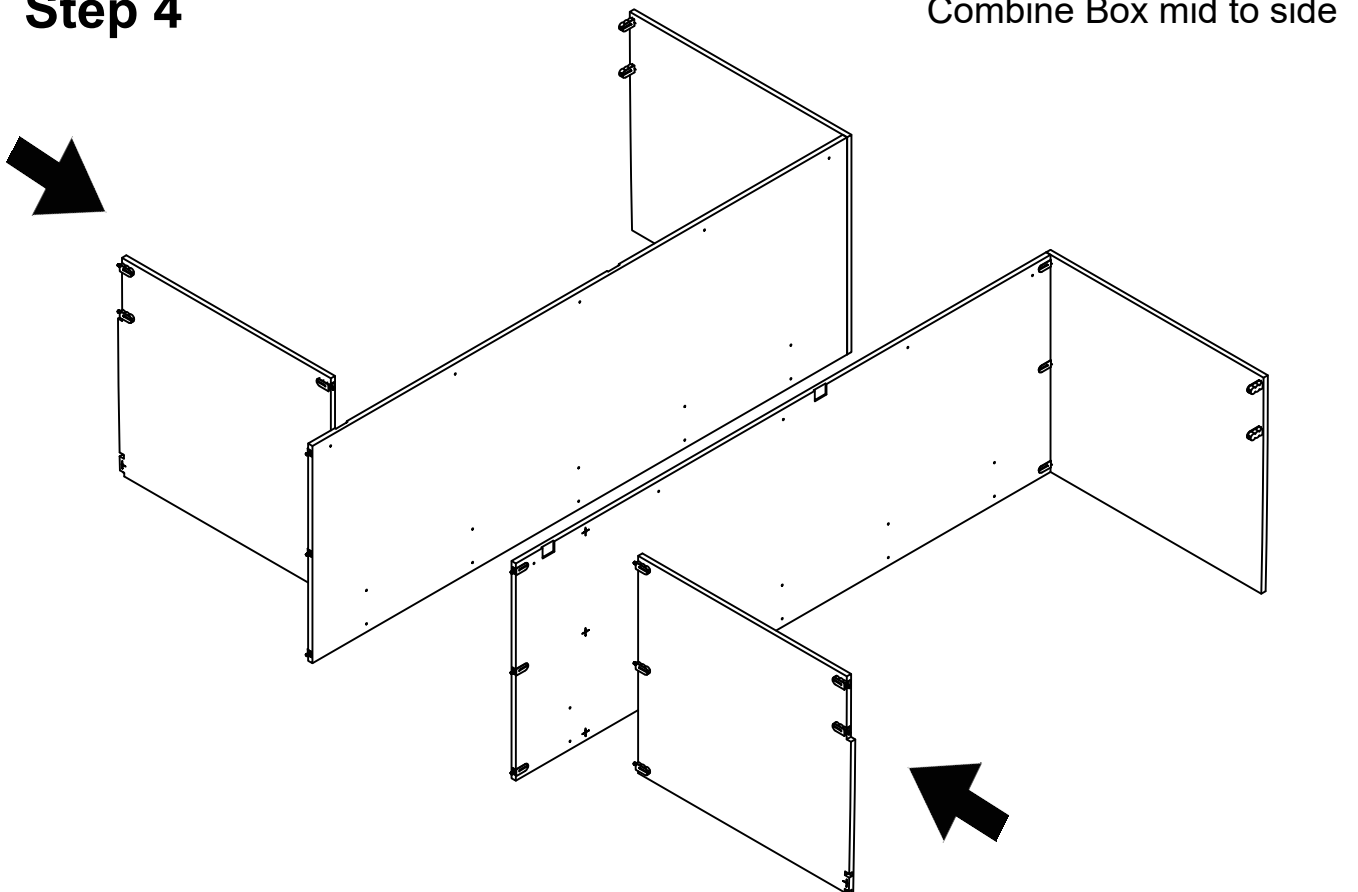
Insert cabineos into places
(for Drawers)



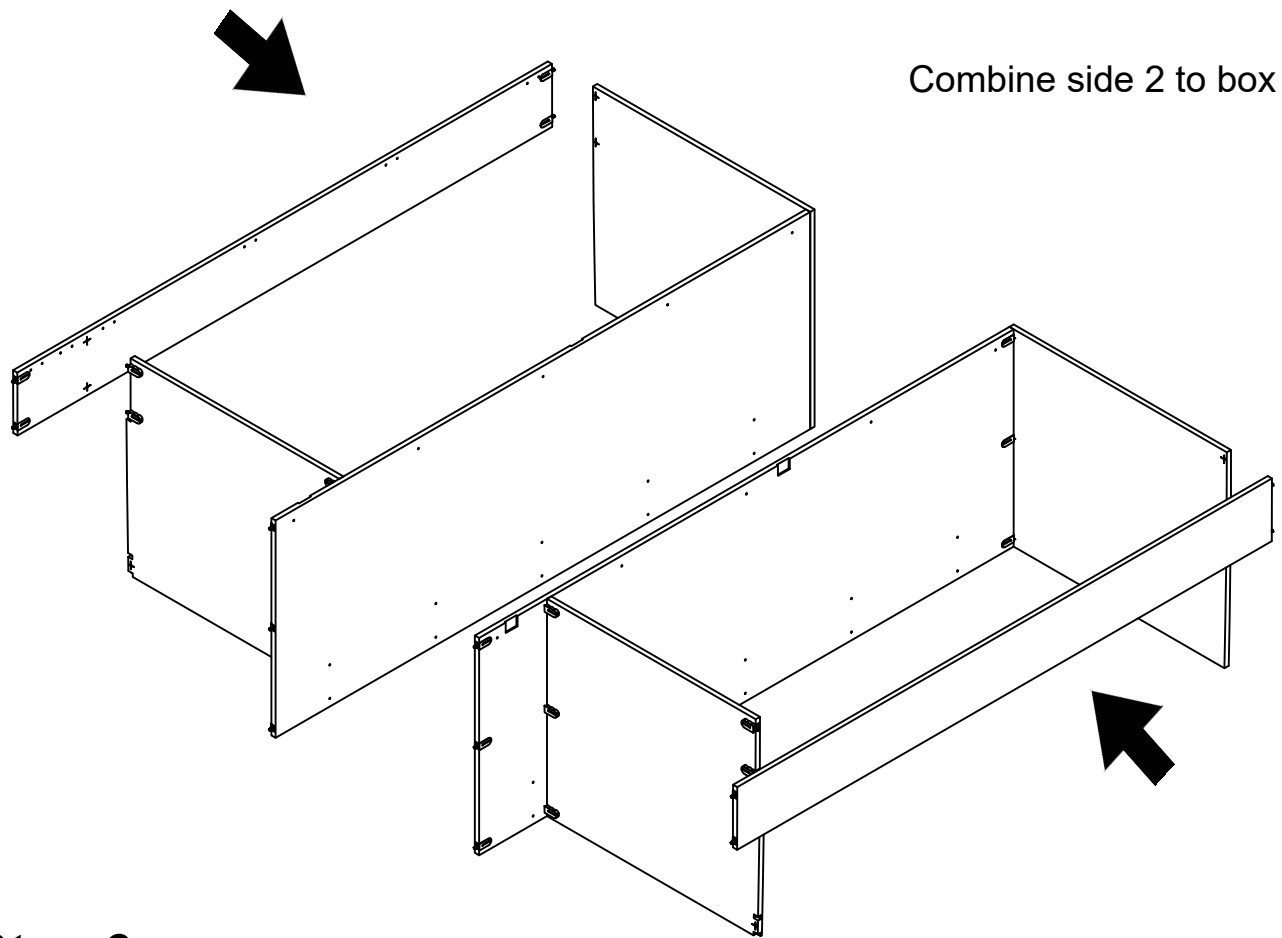
Step 3



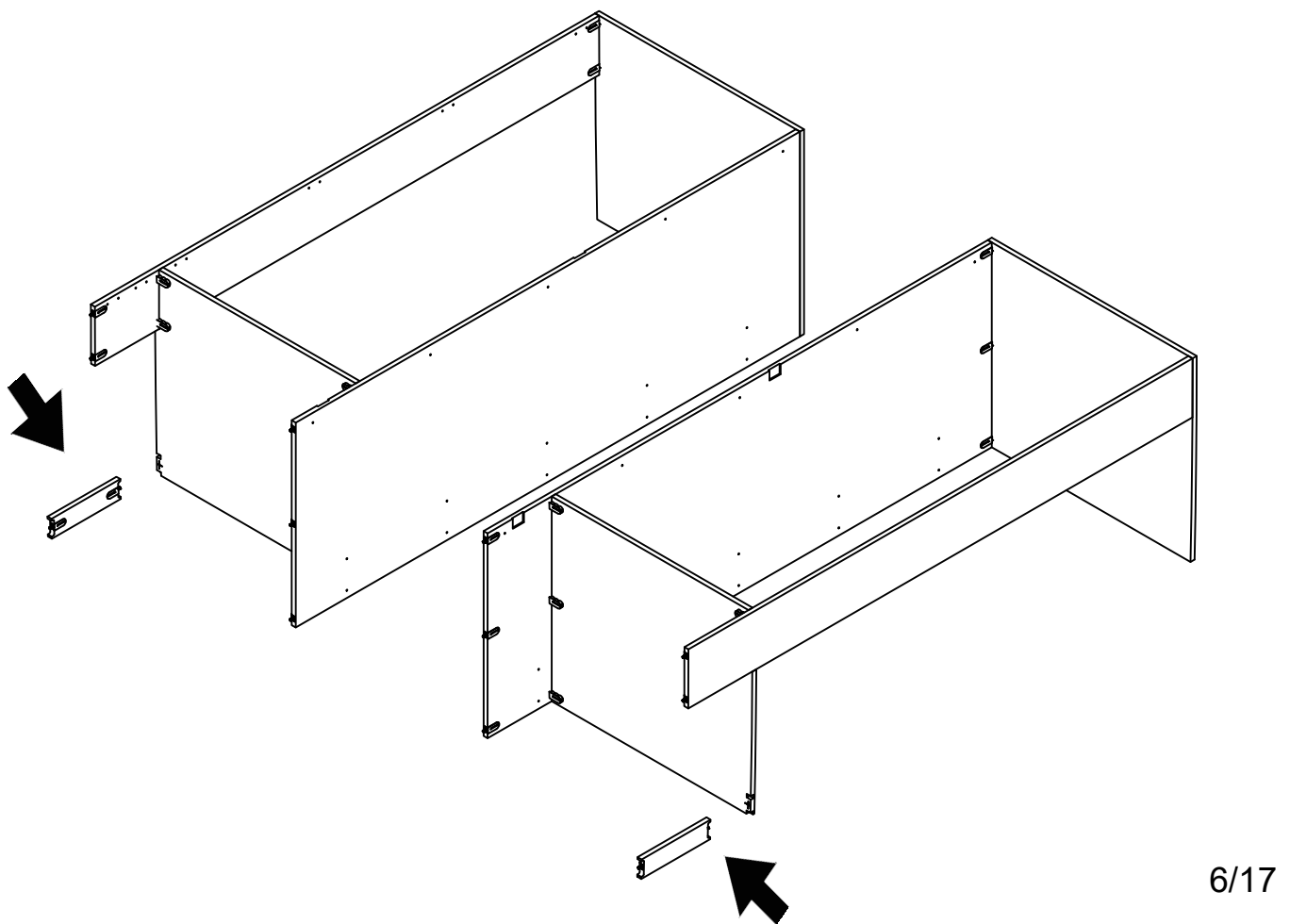
Step 4



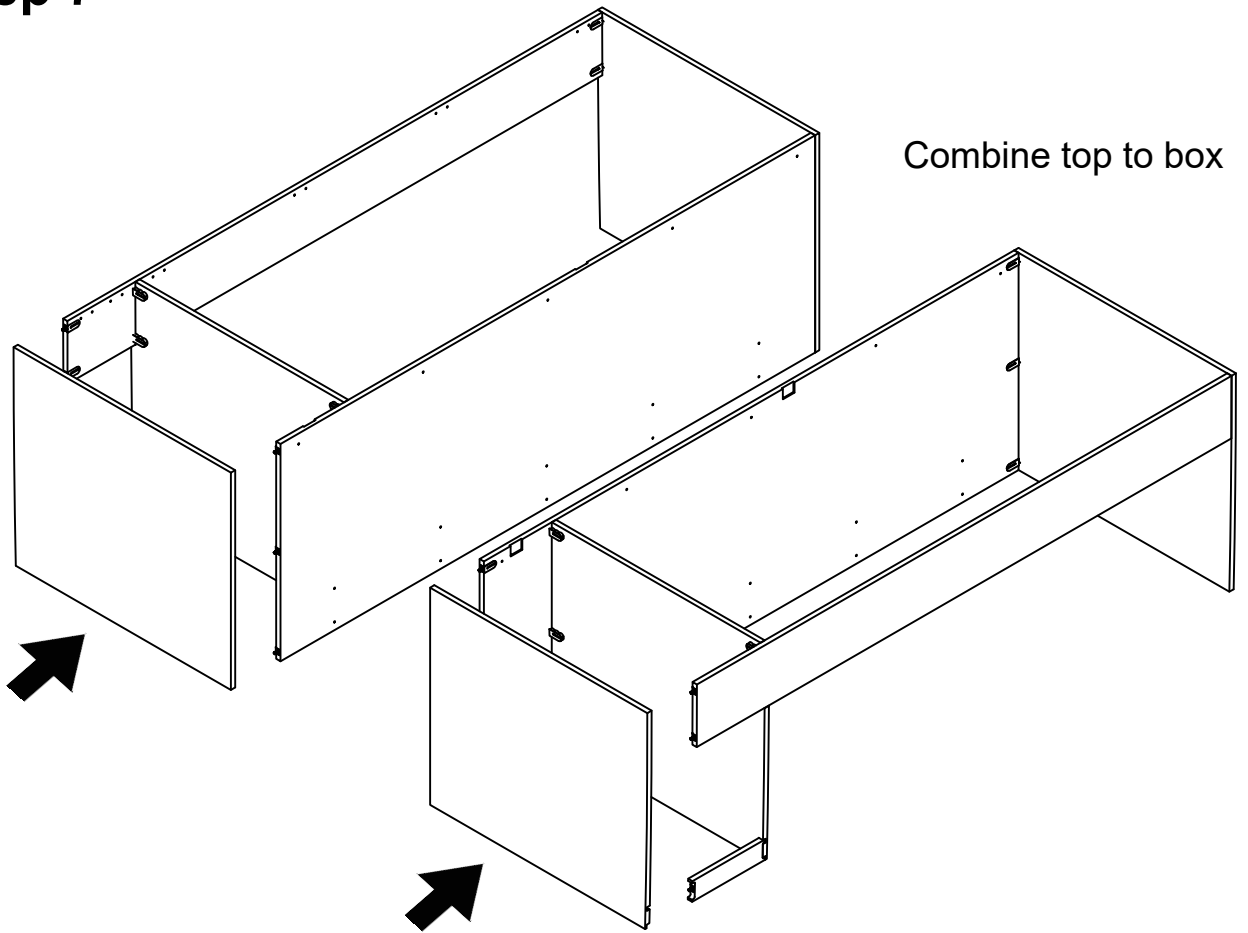
Step 5



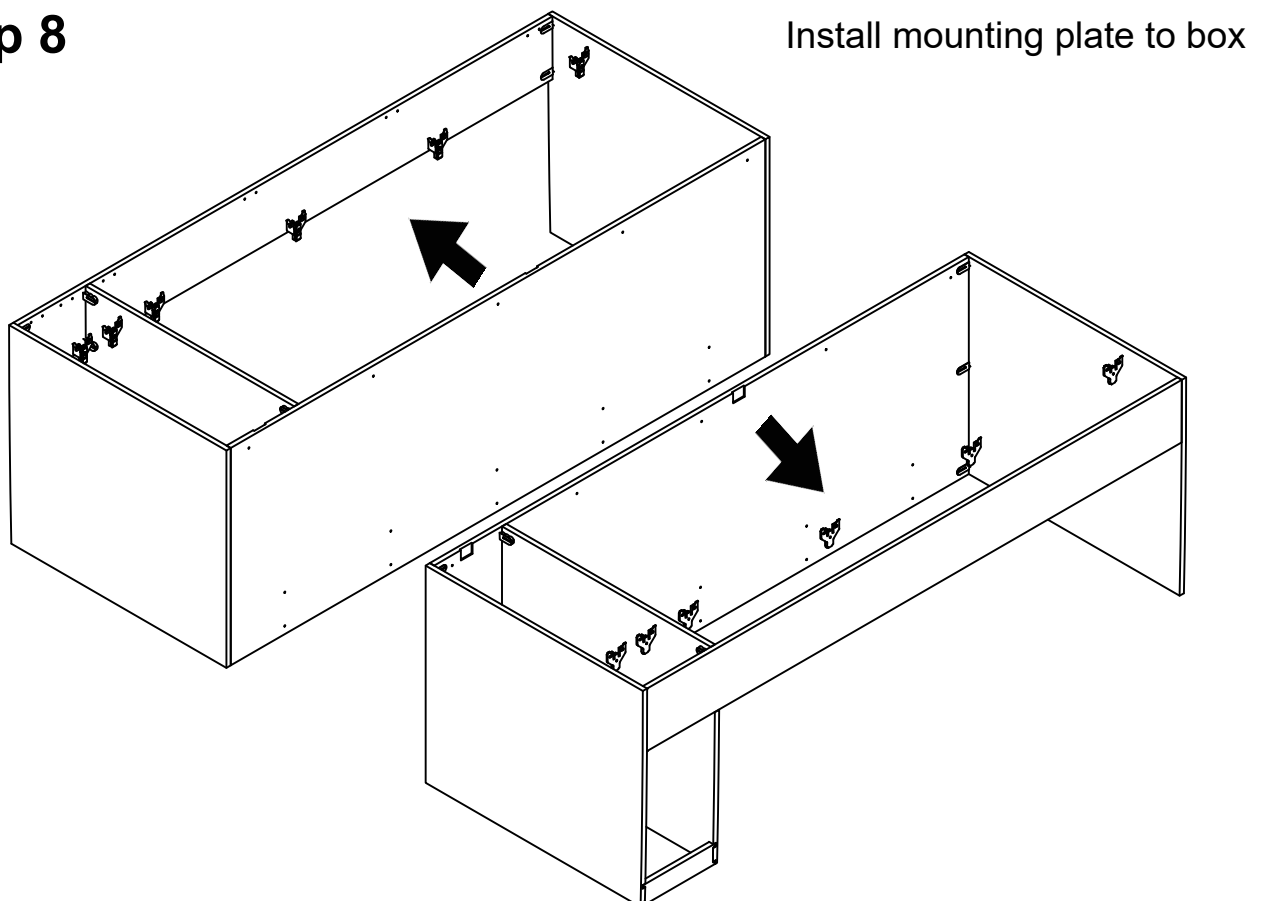
Step 6



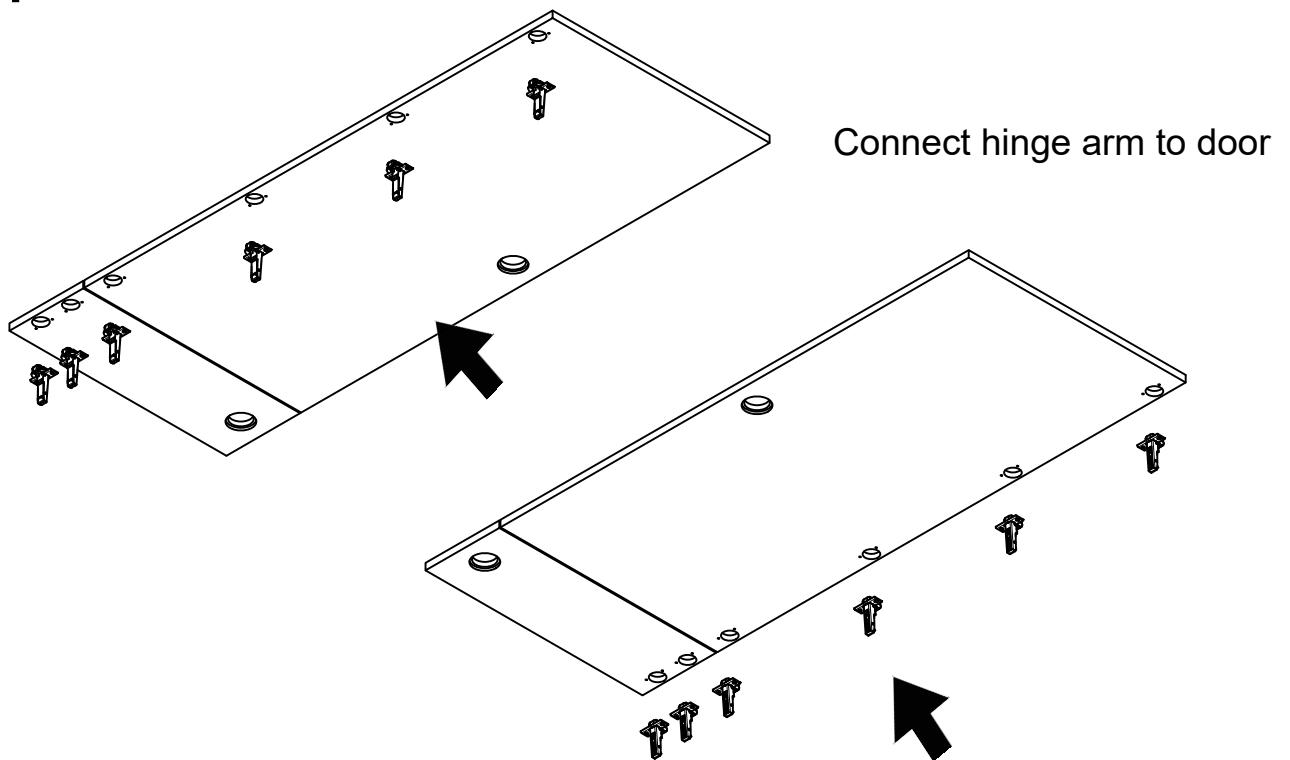
Step 7



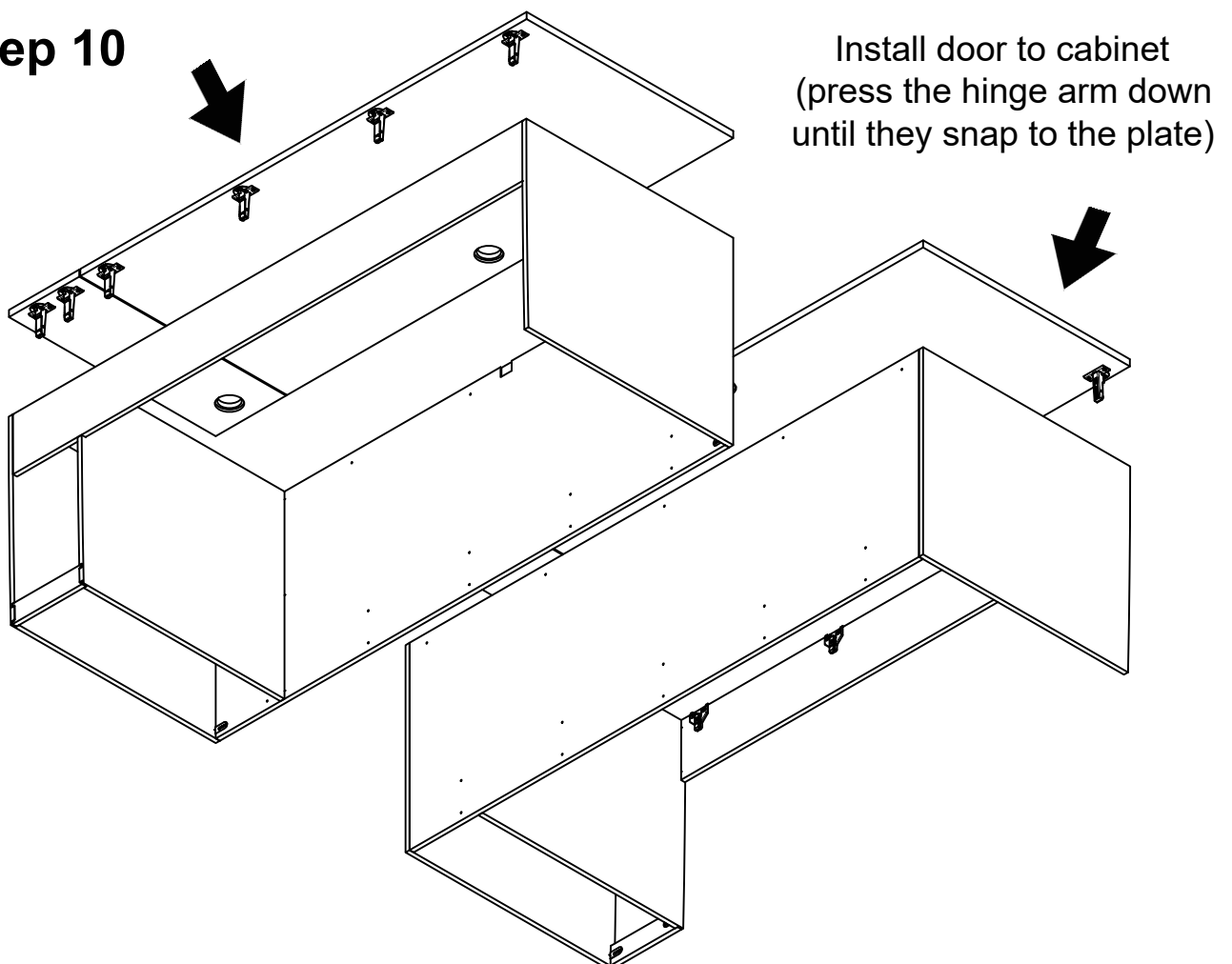
Step 8



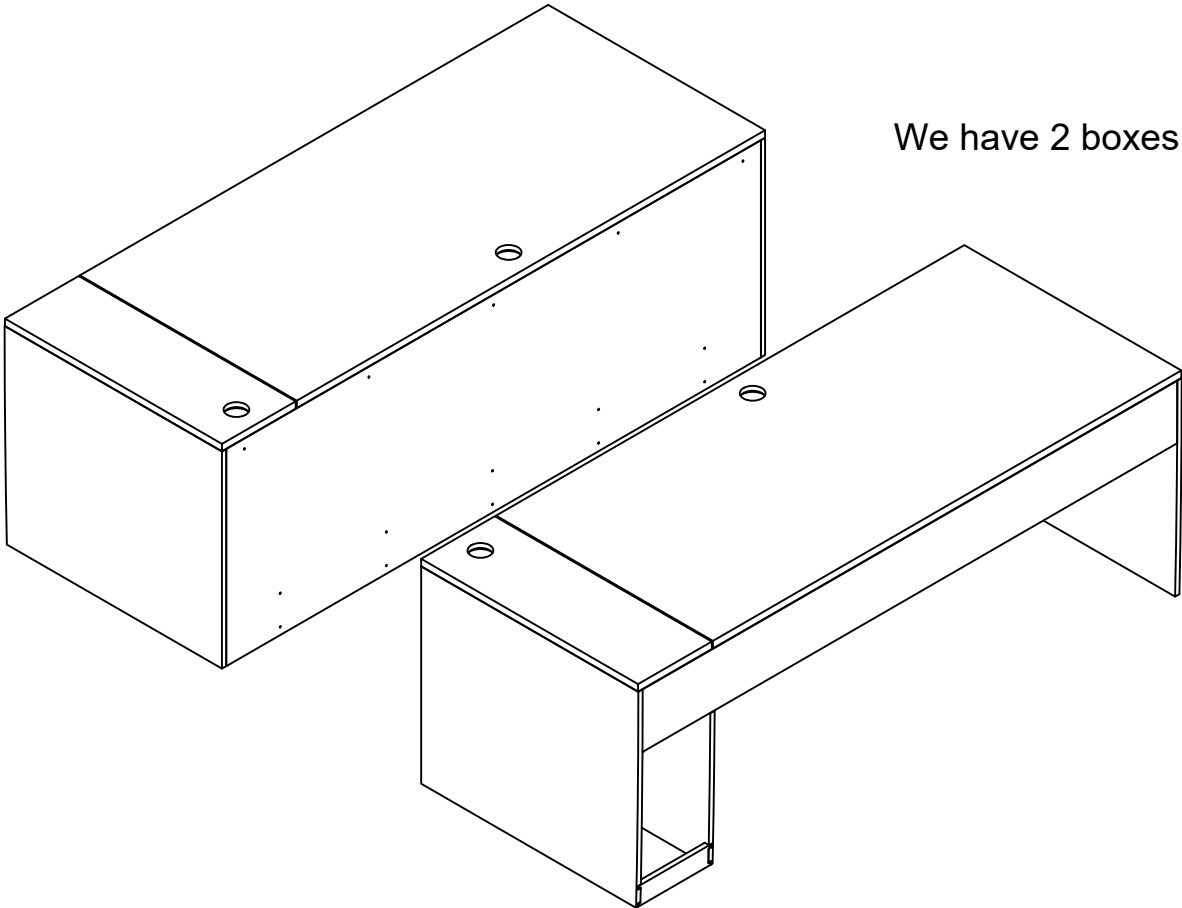
Step 9



Step 10



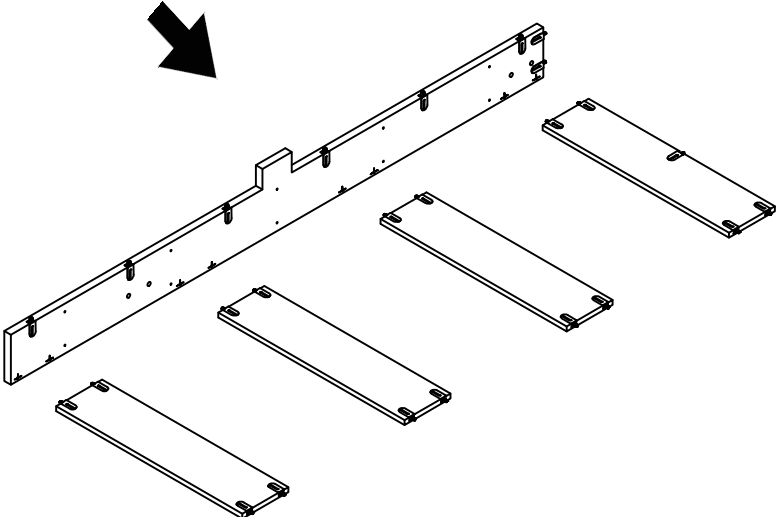
Step 11



We have 2 boxes

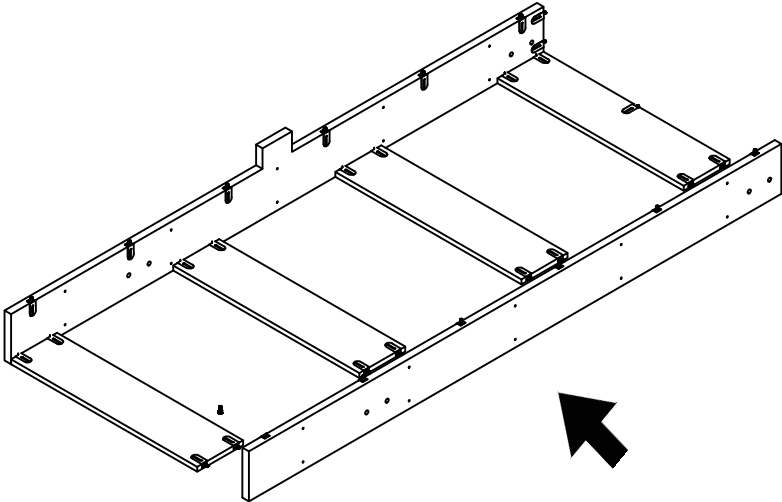
Step 12

Combine drawer box side to bottom



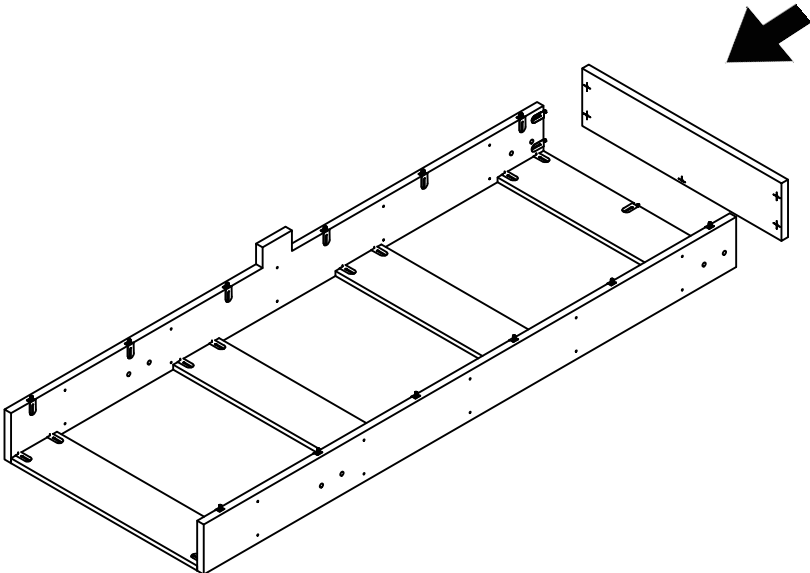
Step 13

Combine side 2 to drawer box

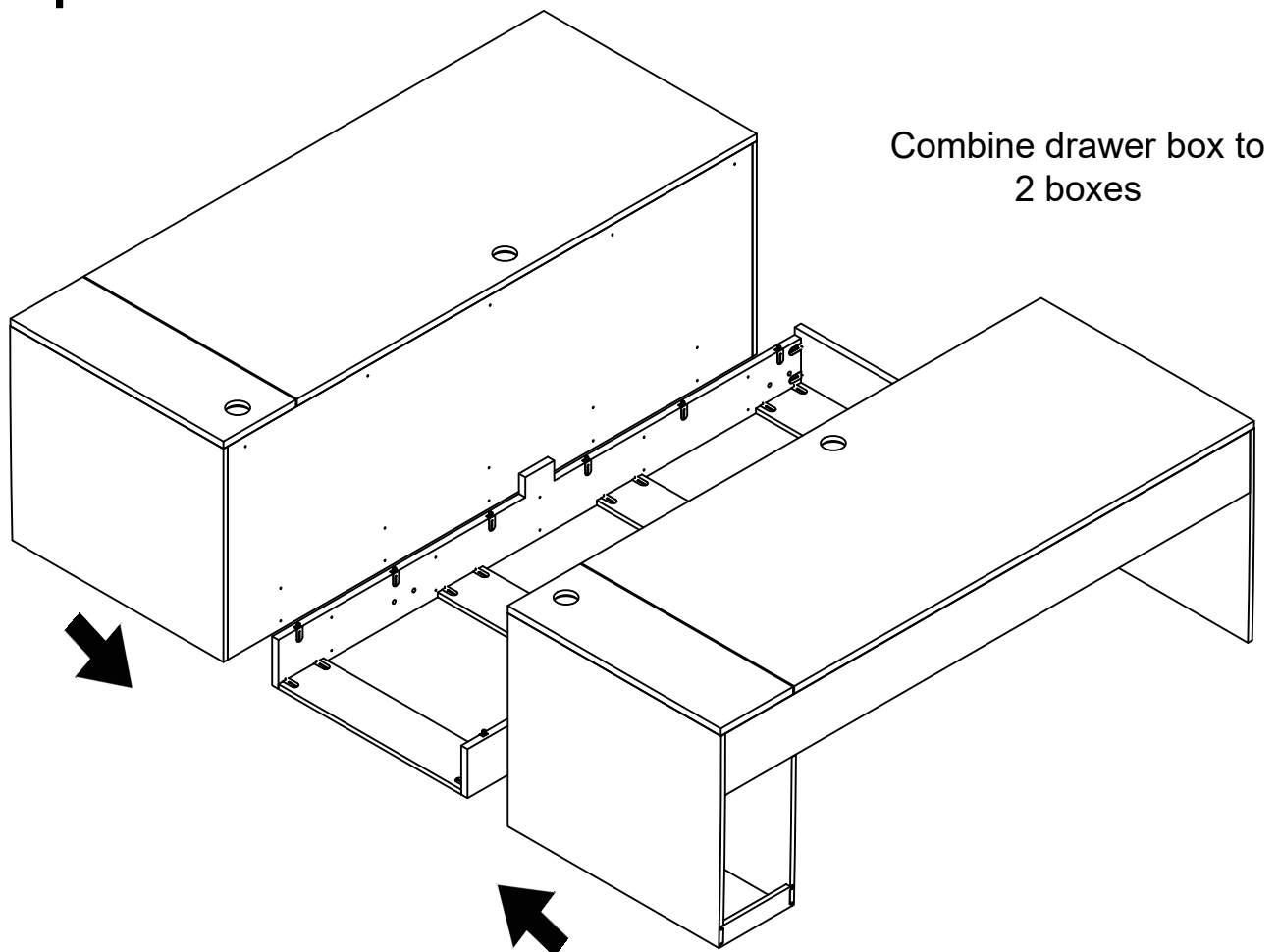


Step 14

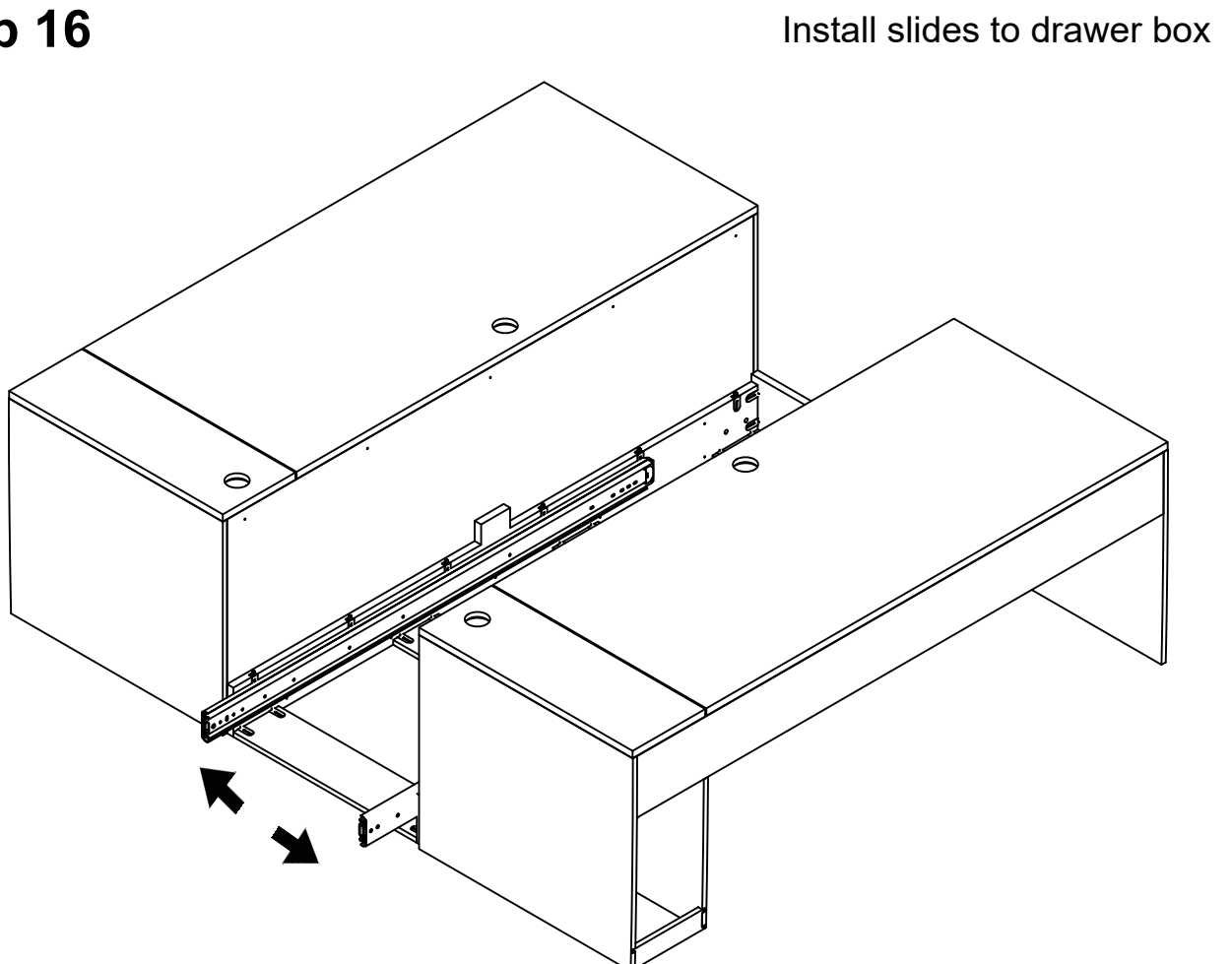
Combine back to drawer box



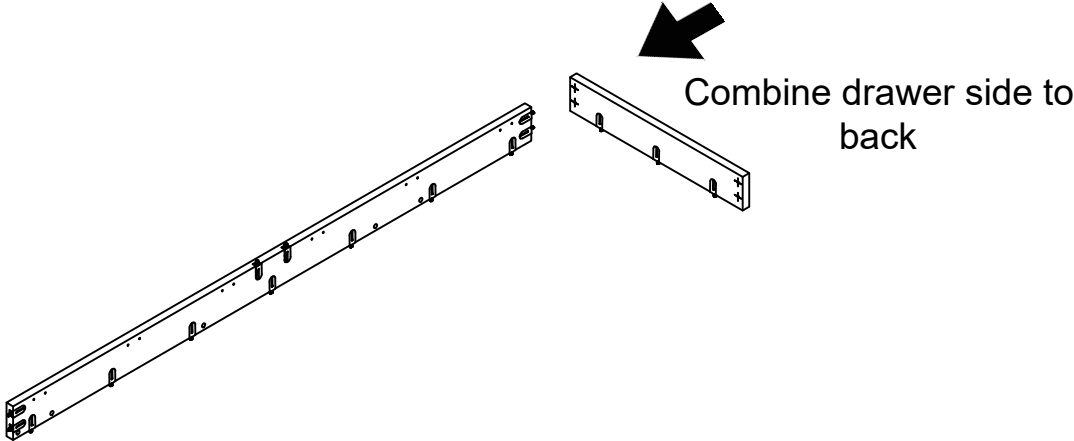
Step 15



Step 16

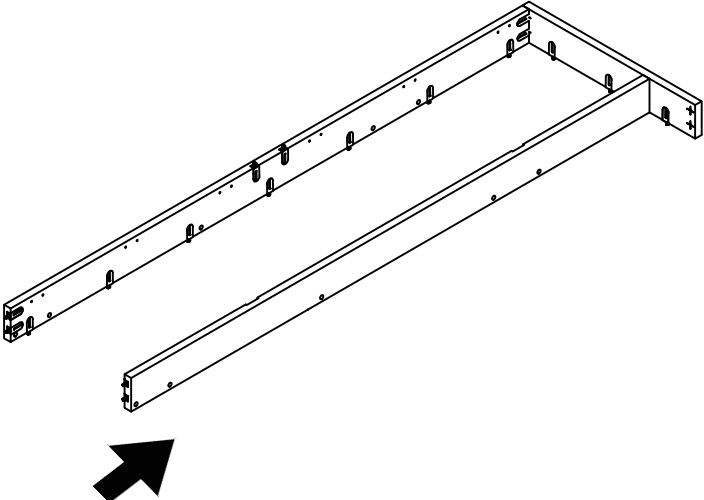


Step 17

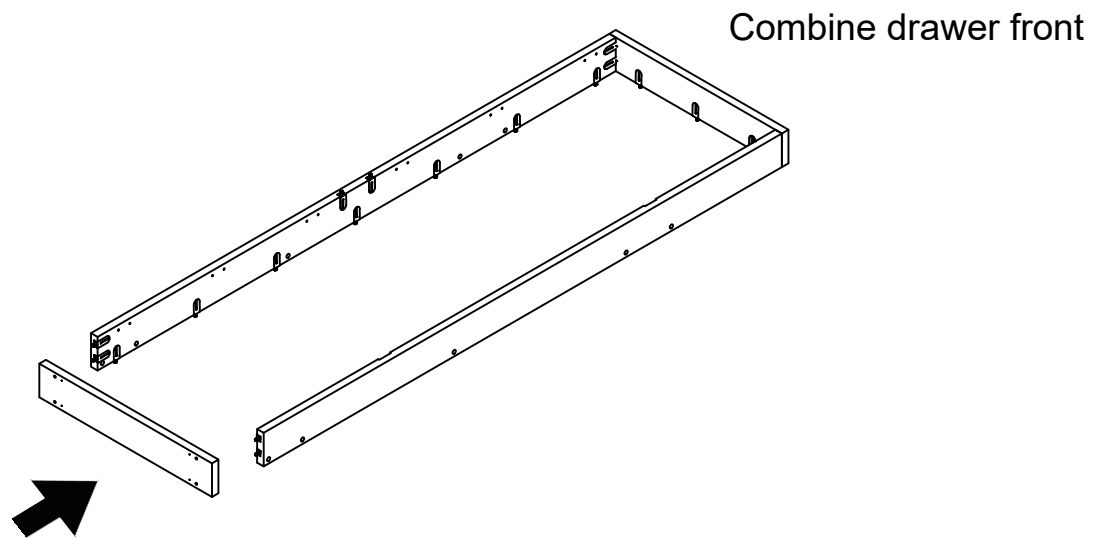


Step 18

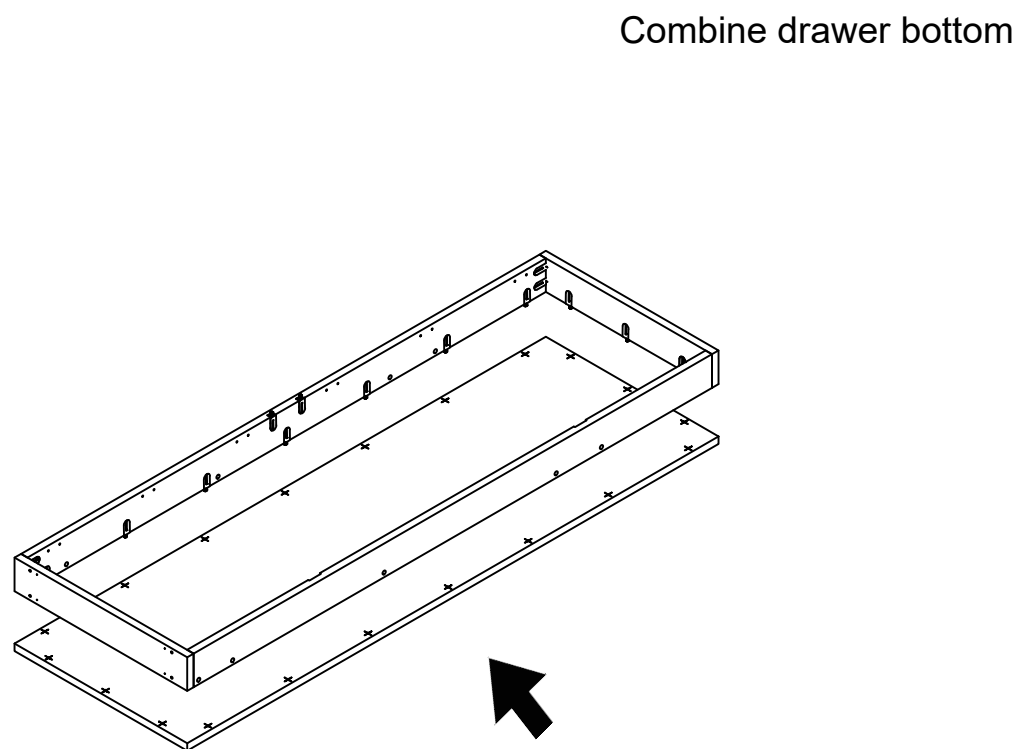
Combine side 2 to drawer



Step 19

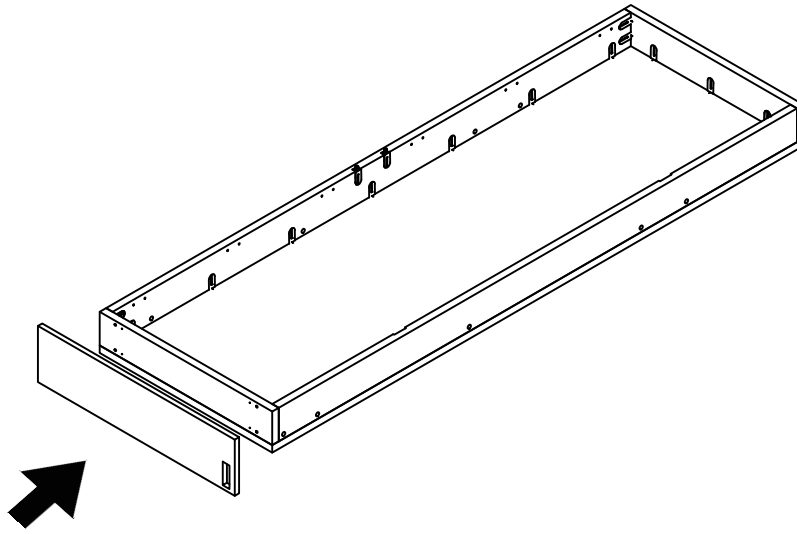


Step 20



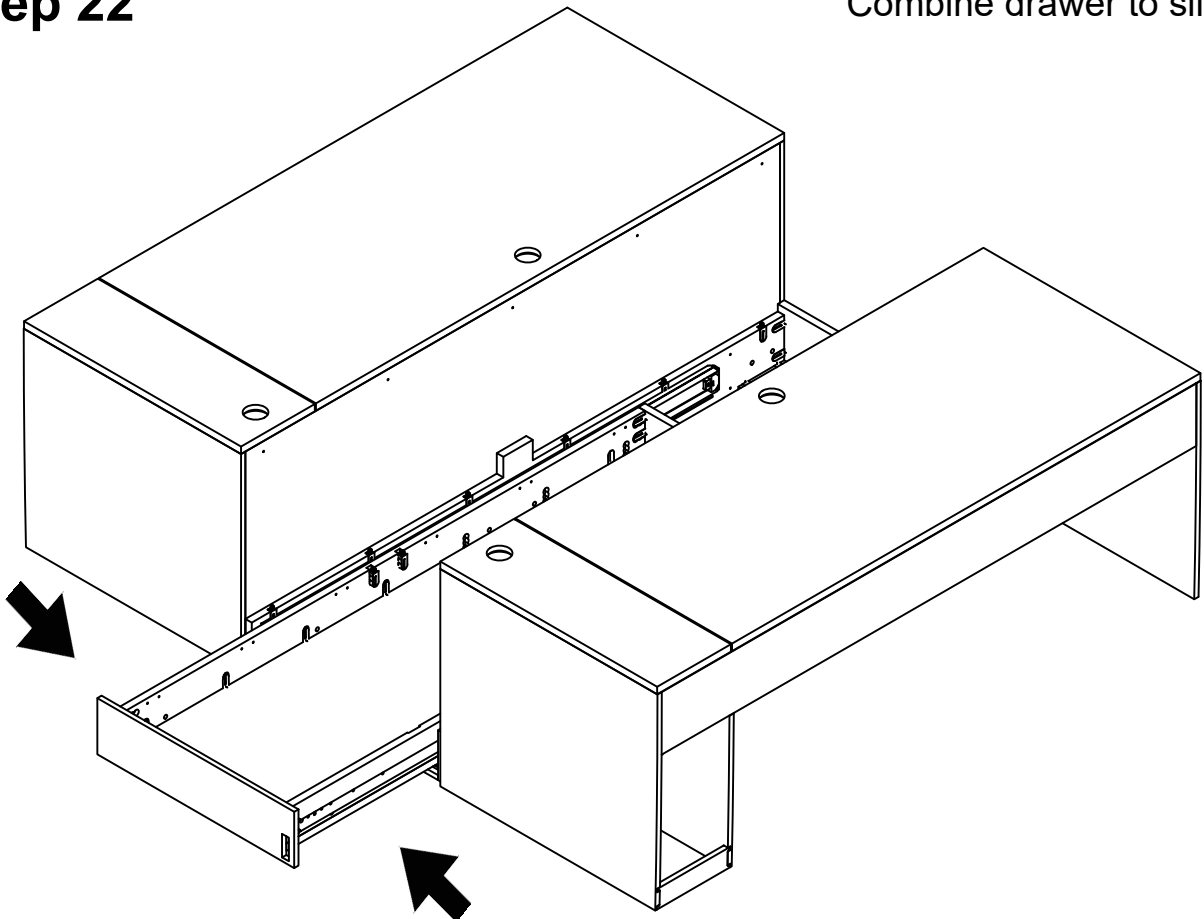
Step 21

Combine drawer face

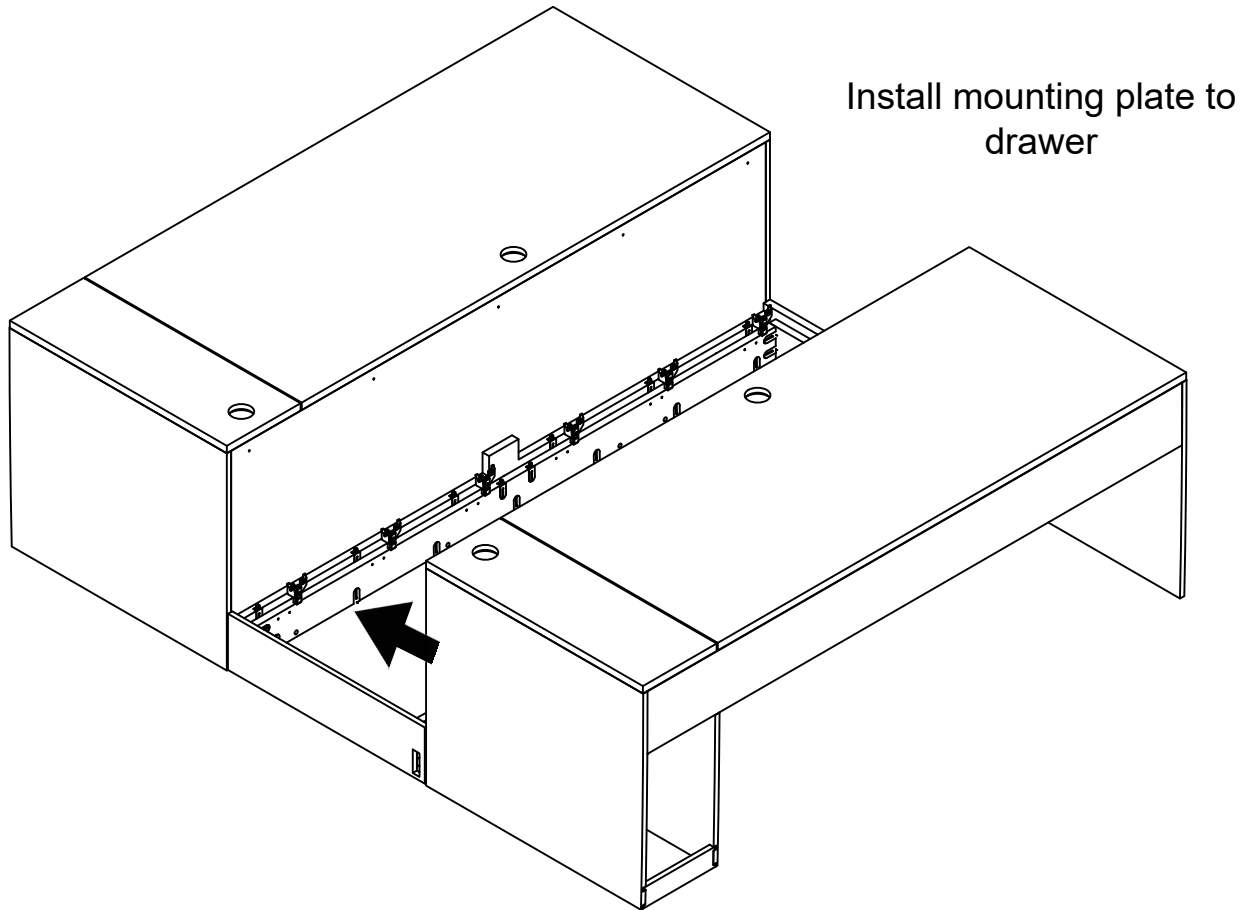


Step 22

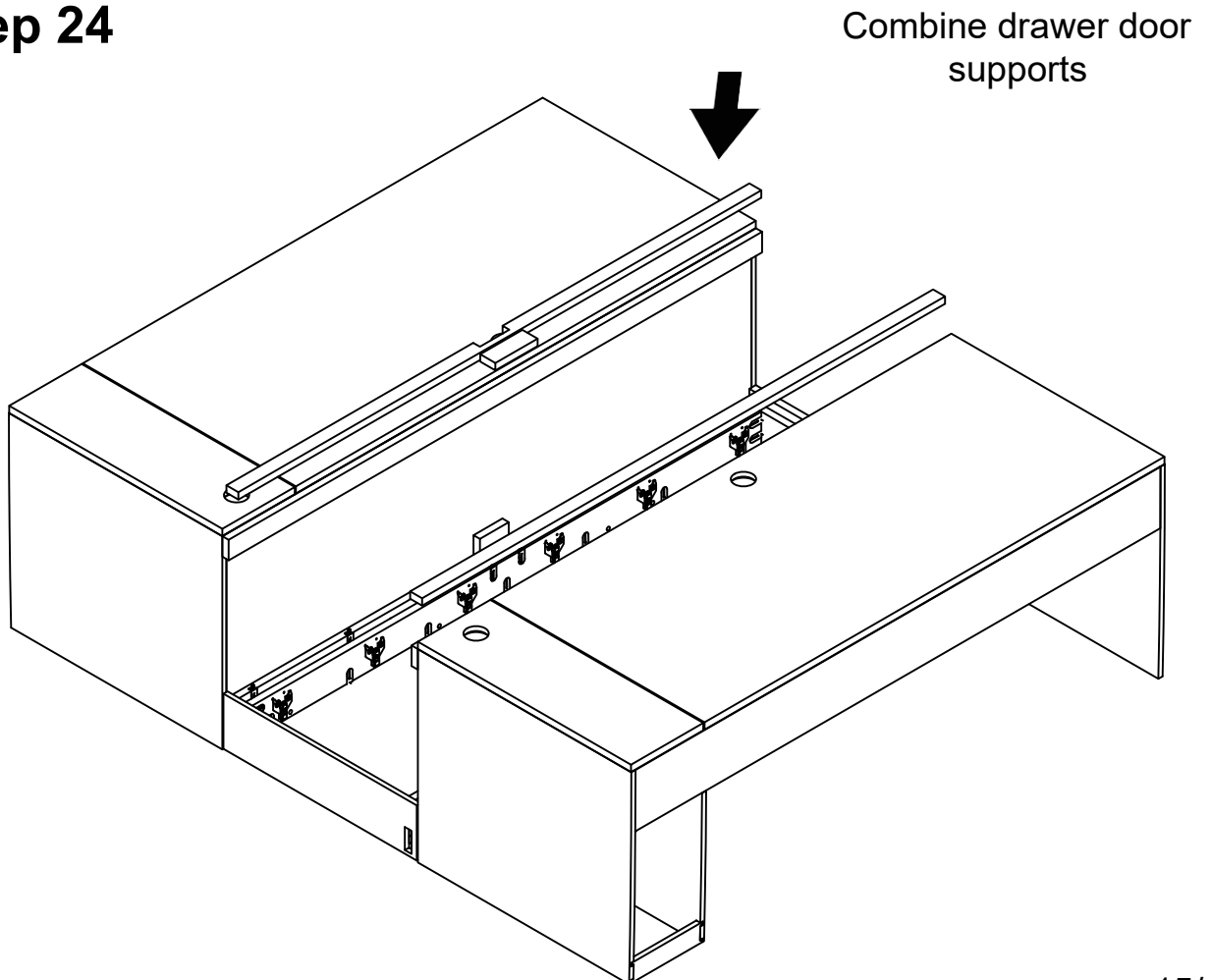
Combine drawer to slides



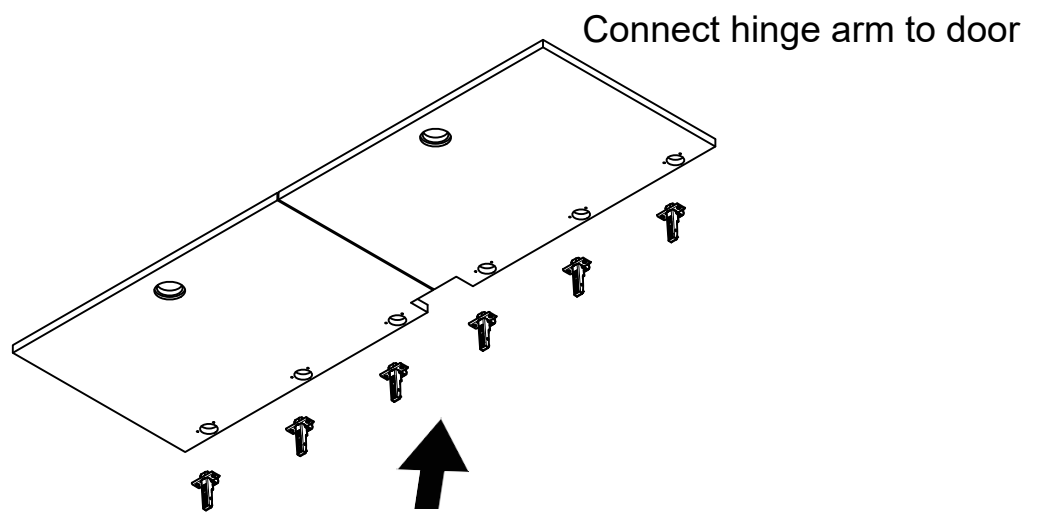
Step 23



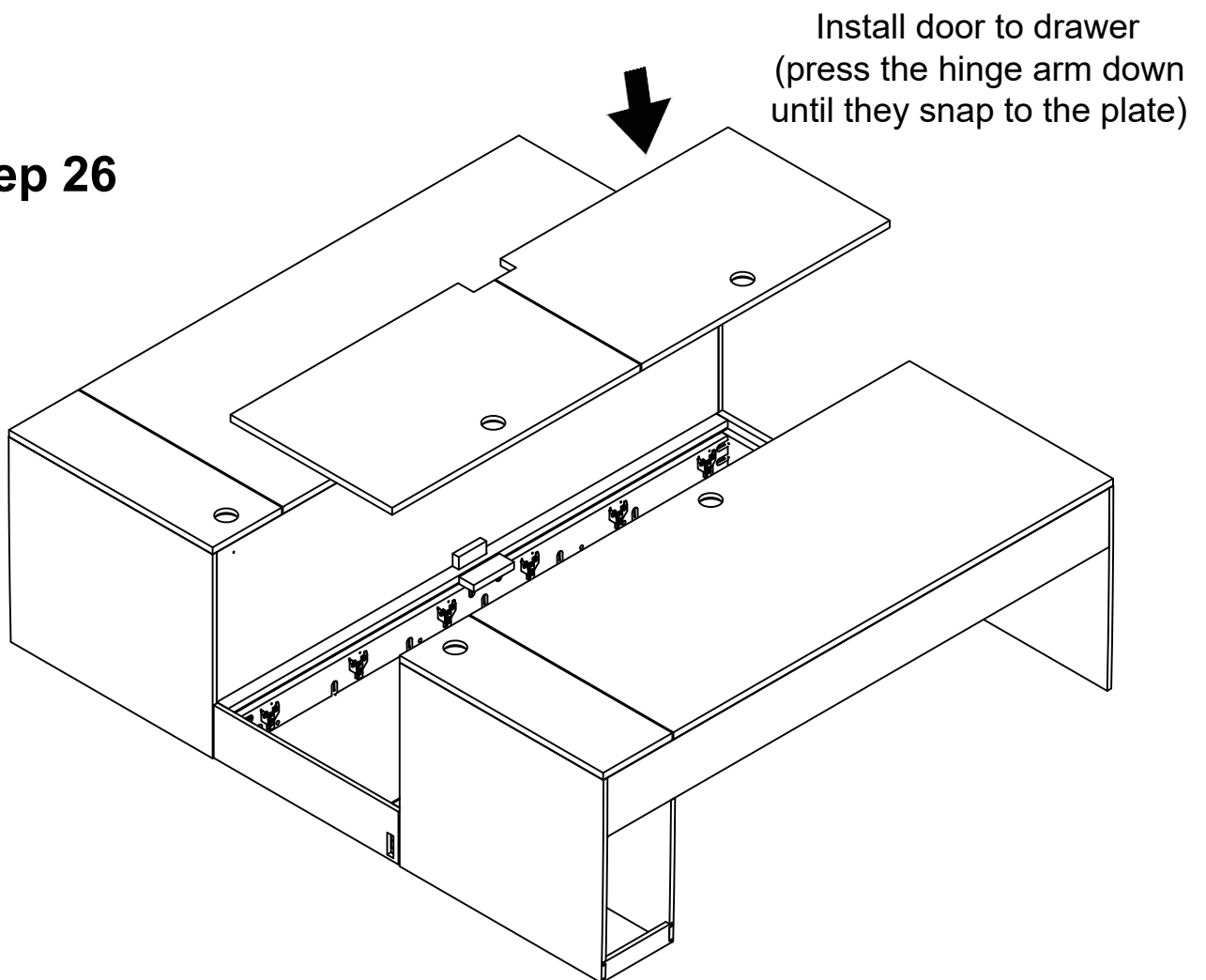
Step 24



Step 25

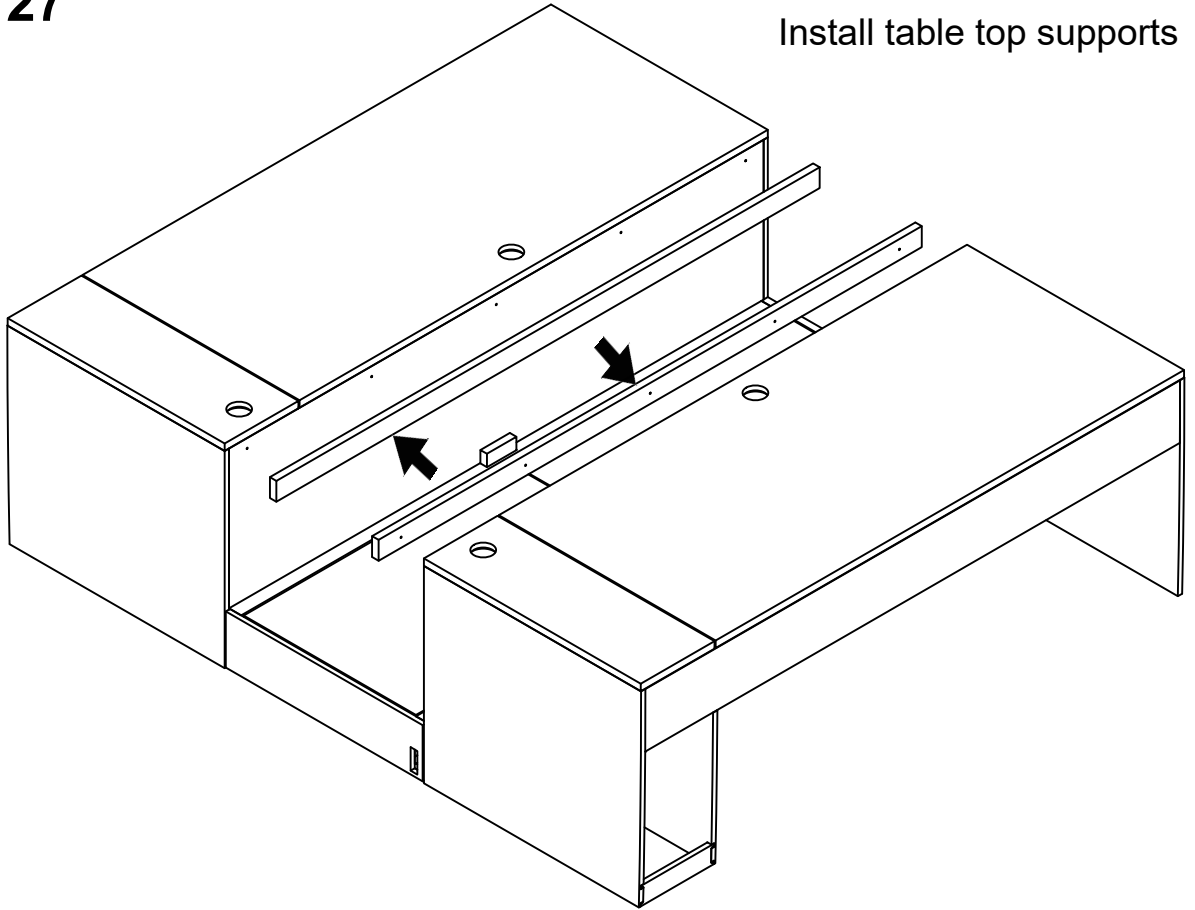


Step 26



Step 27

Install table top supports



Step 28

Place the table top

