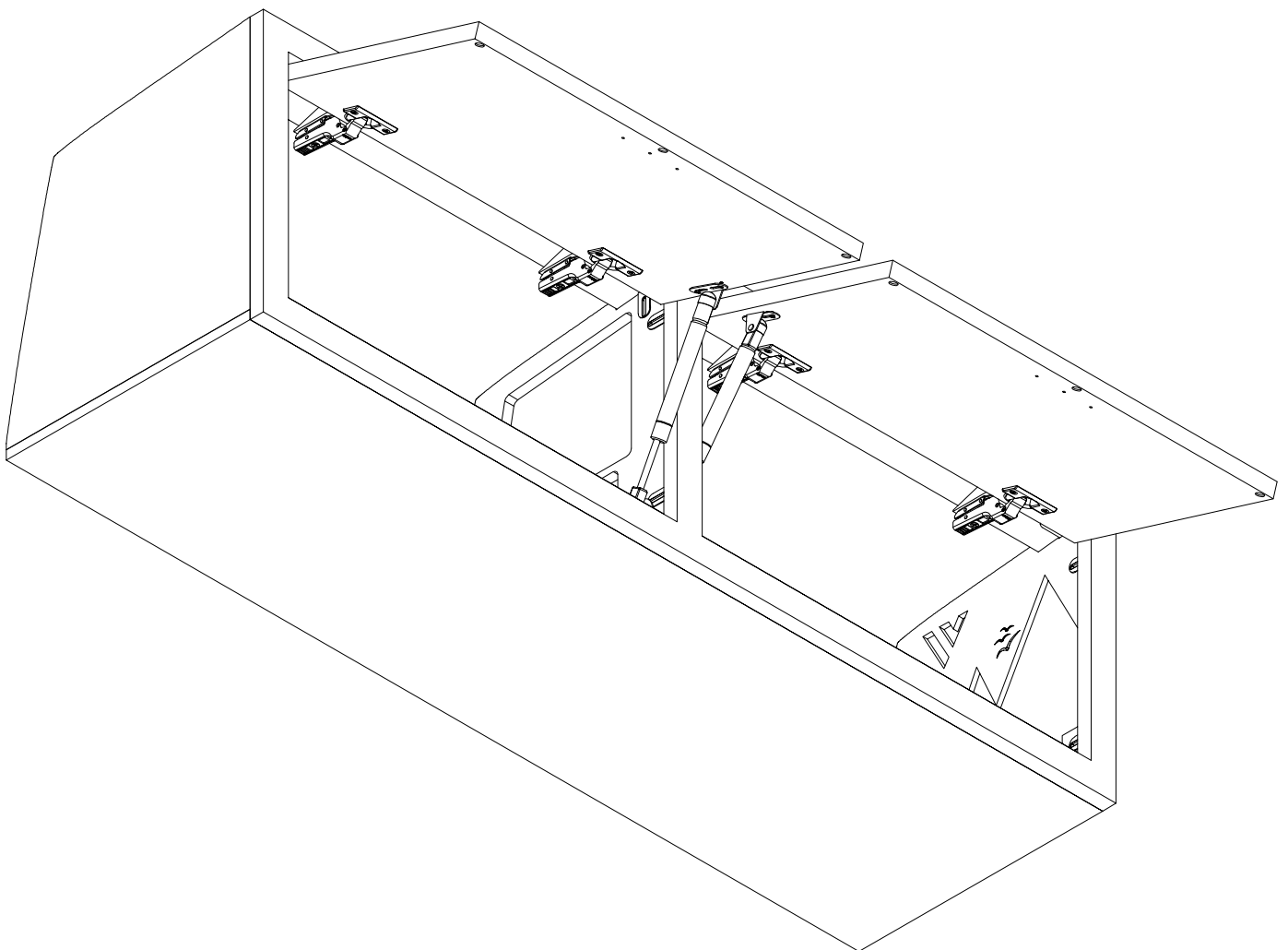
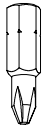


Sprinter, Transit, or Promaster Upper Cabinets

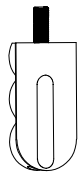




26x



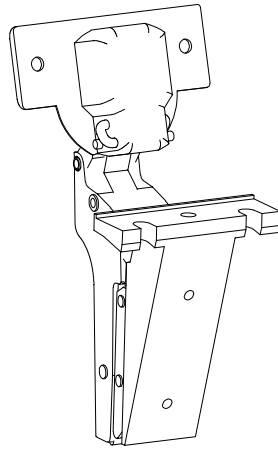
1x



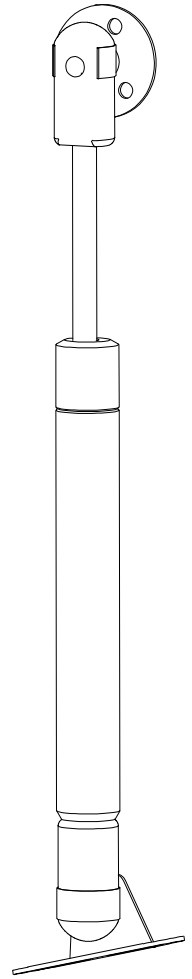
18x



1x

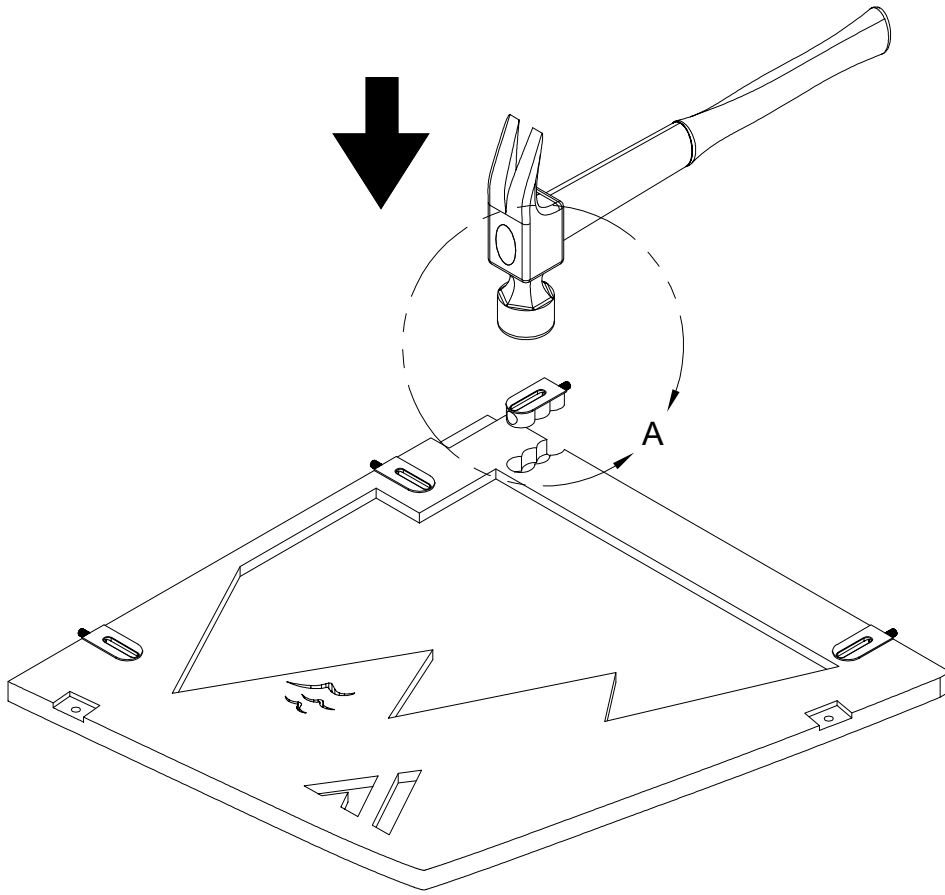


4x

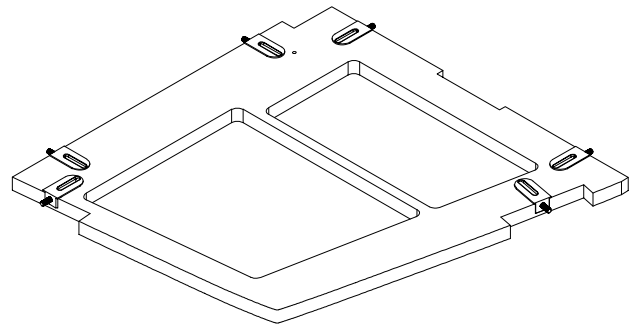
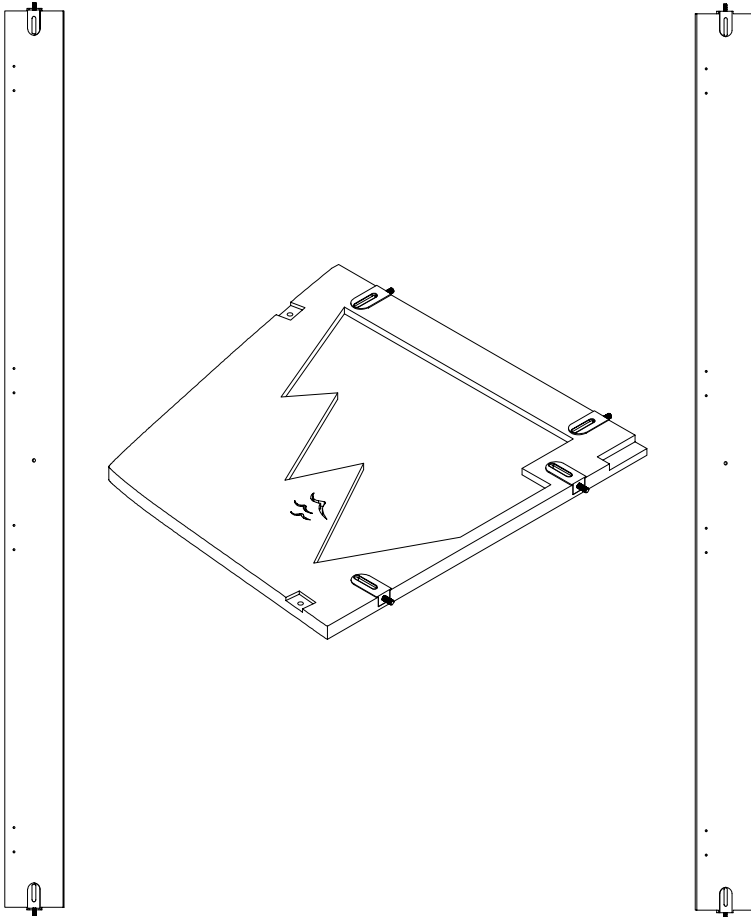
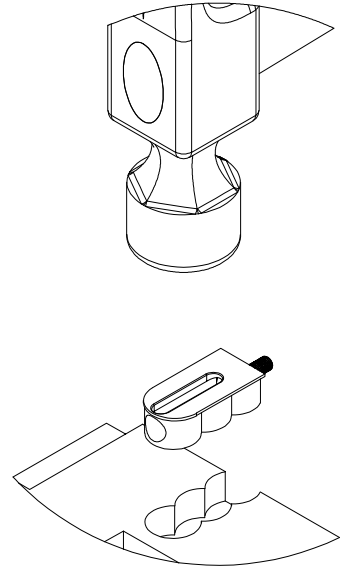


2x

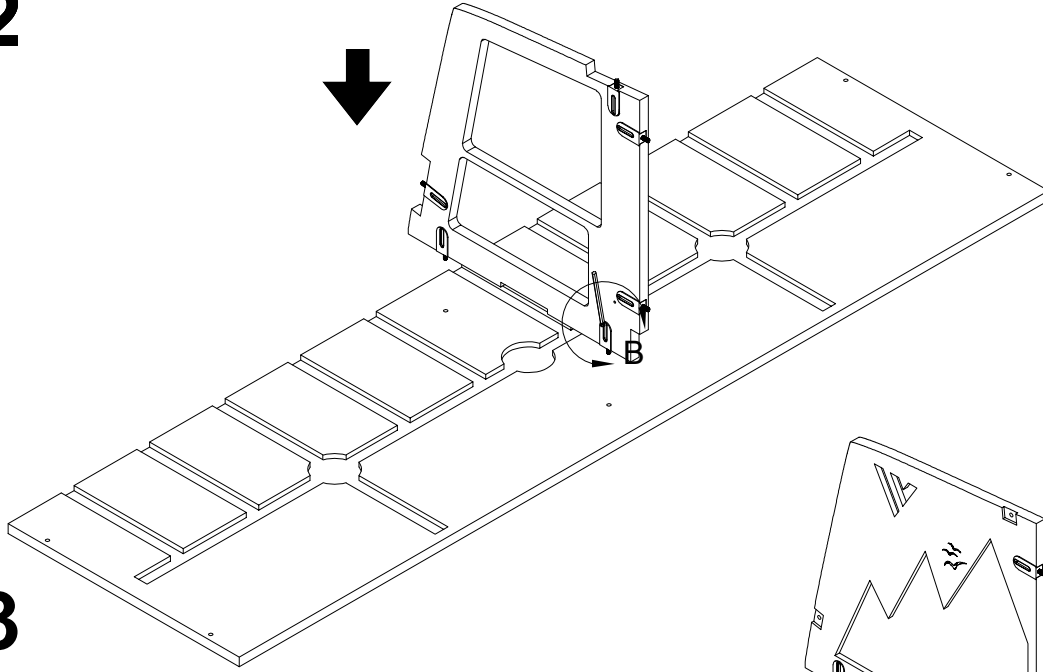
1



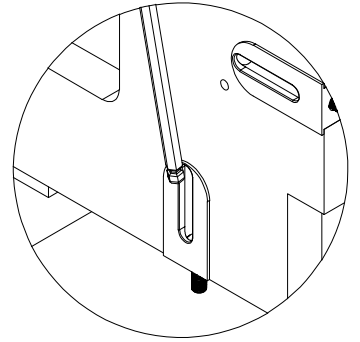
DETAIL A
Gently insert cabineos into places with a claw hammer



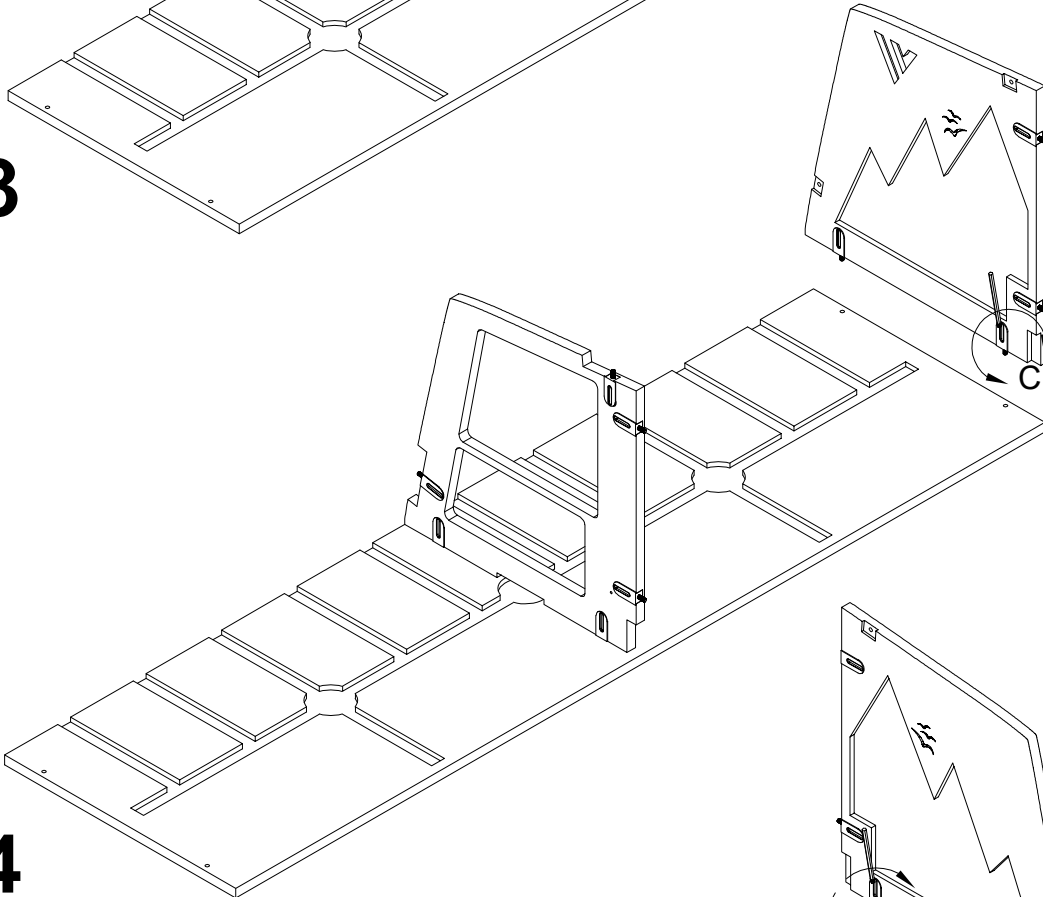
2



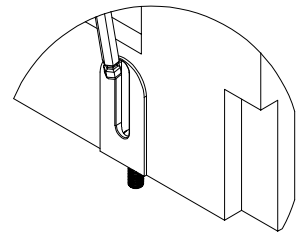
DETAIL B
Use cabineo bit to combine middle to bottom



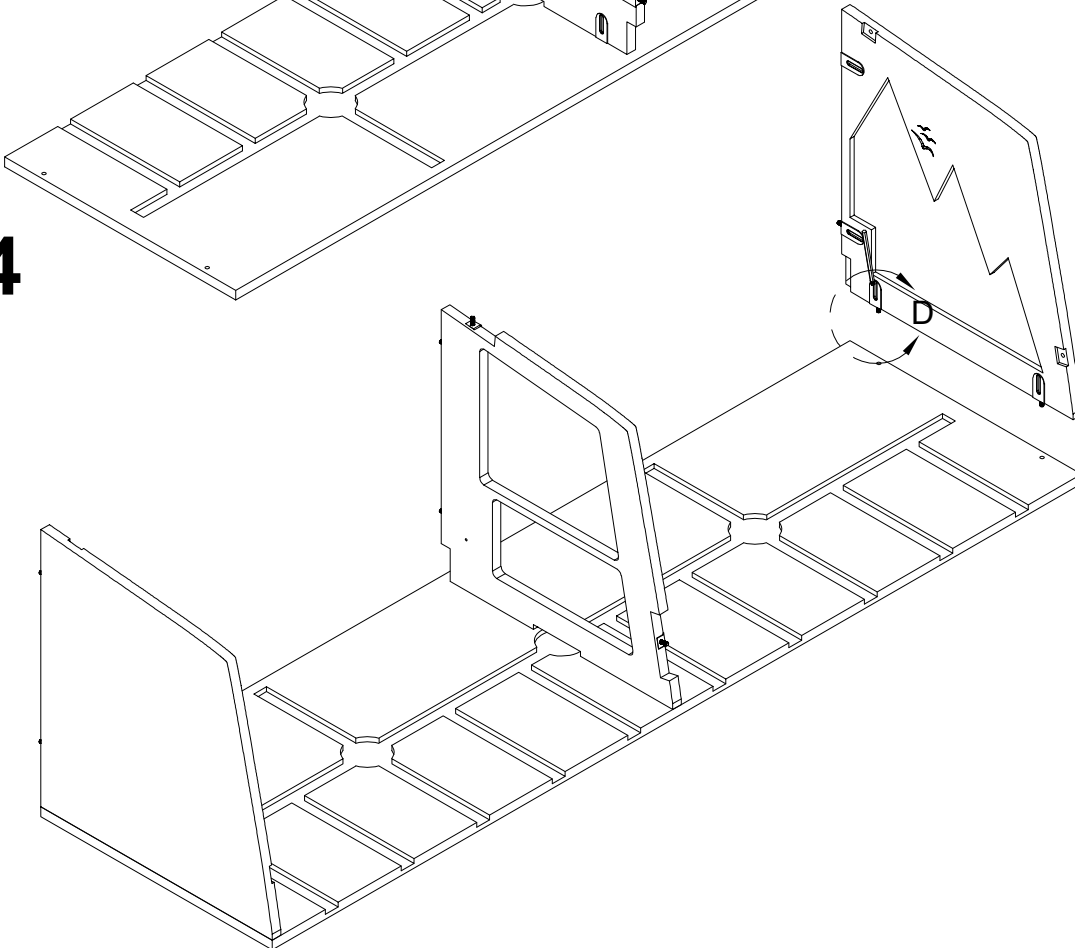
3



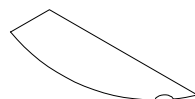
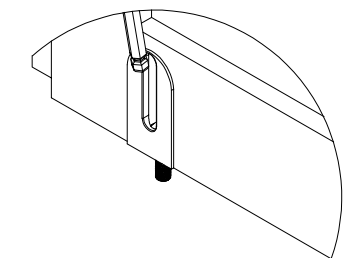
DETAIL C
Use cabineo bit to combine side 1 to bottom



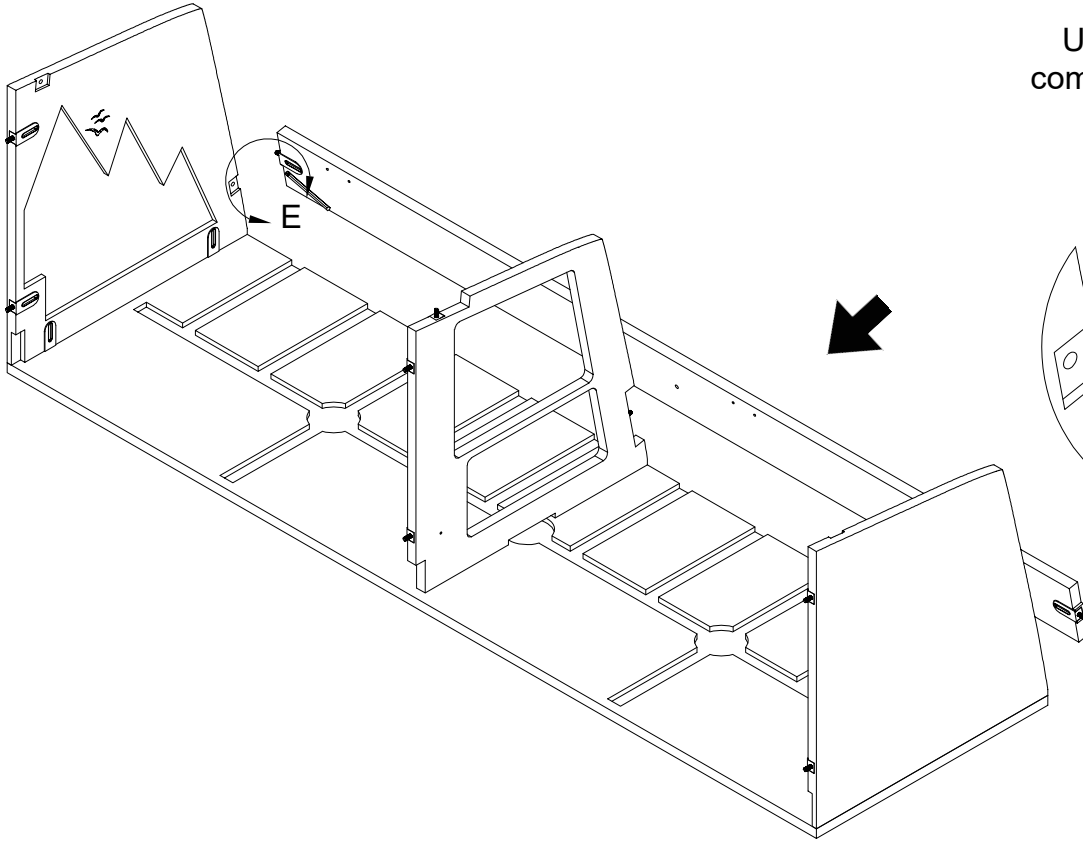
4



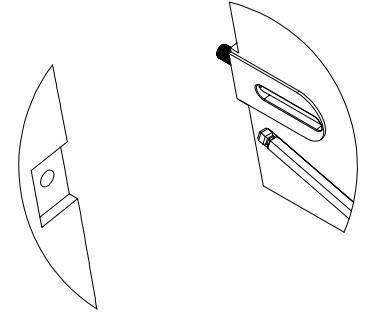
DETAIL D
Use cabineo bit to combine side 1 to bottom



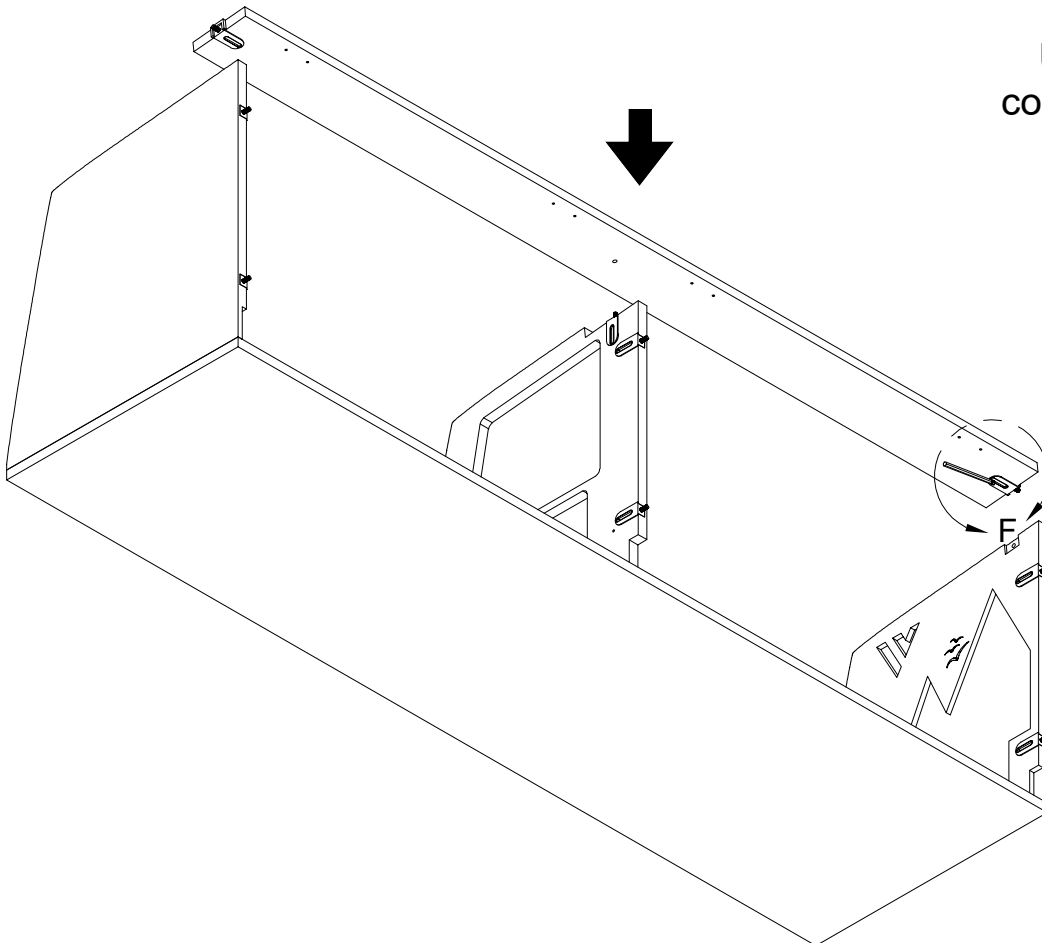
5



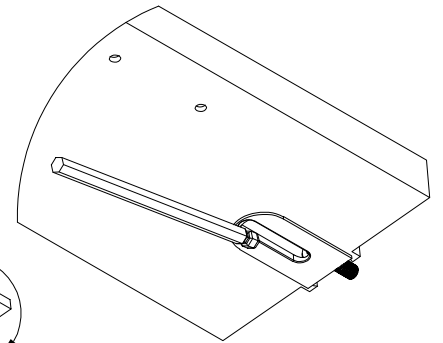
DETAIL E
Use cabineo bit to
combine top 1 to sides



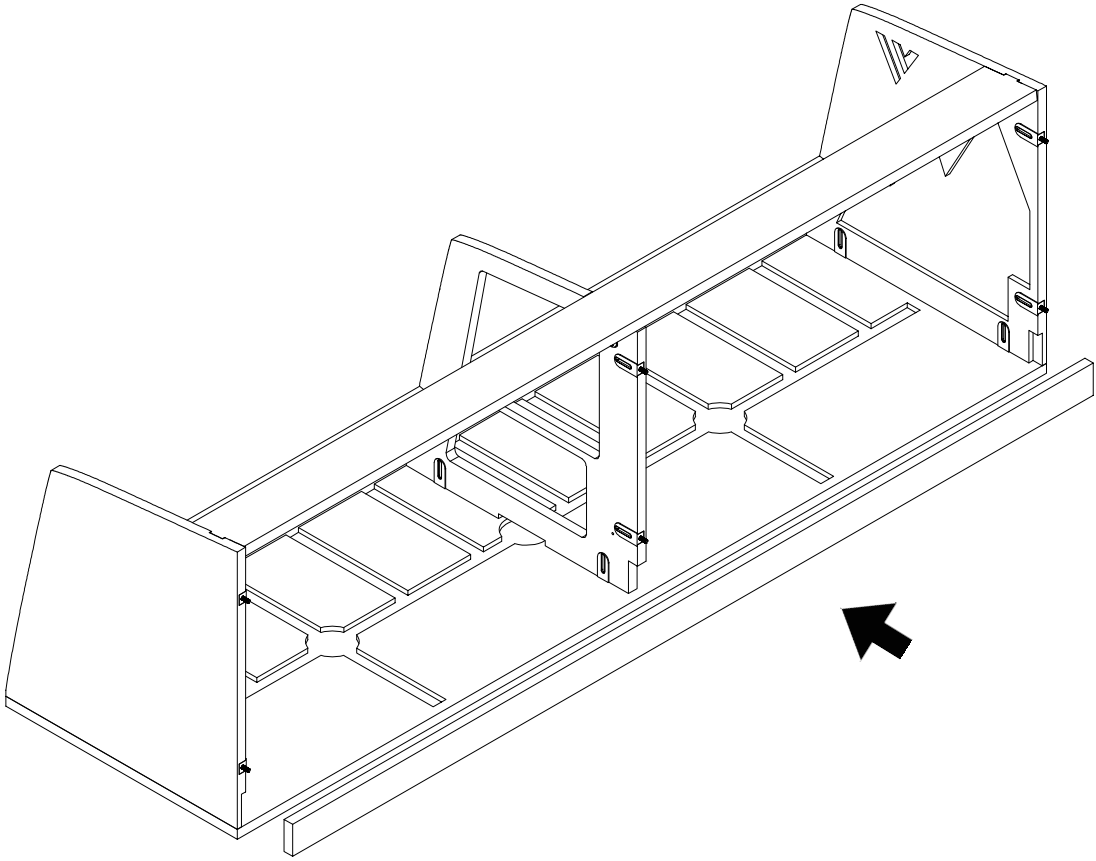
6



DETAIL F
Use cabineo bit to
combine top 2 to sides

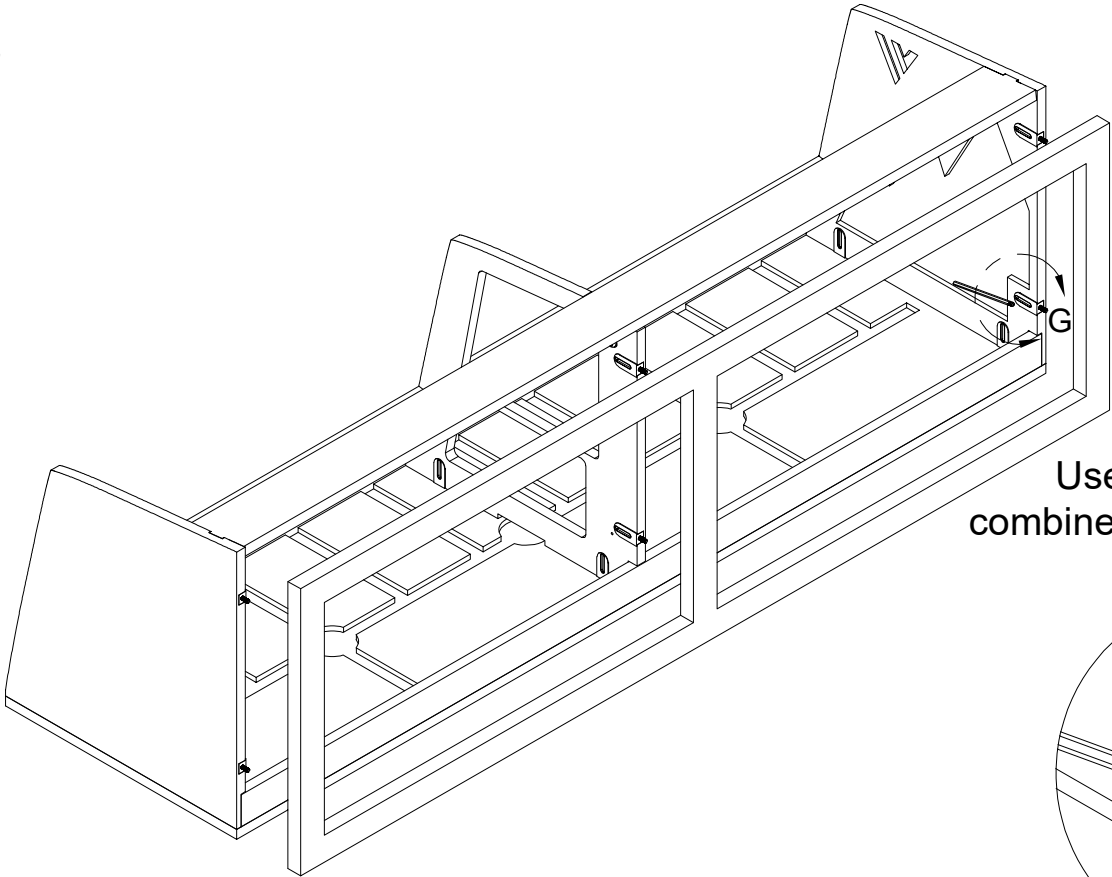


7

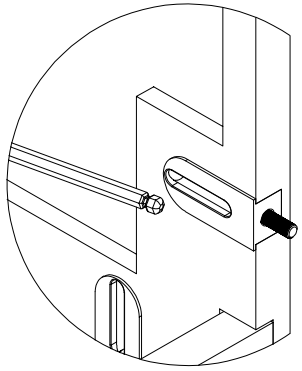


Place Front support

8

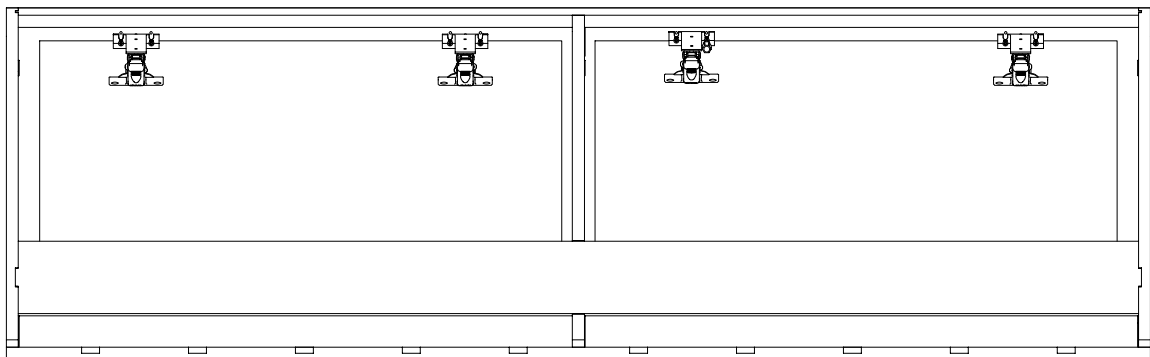
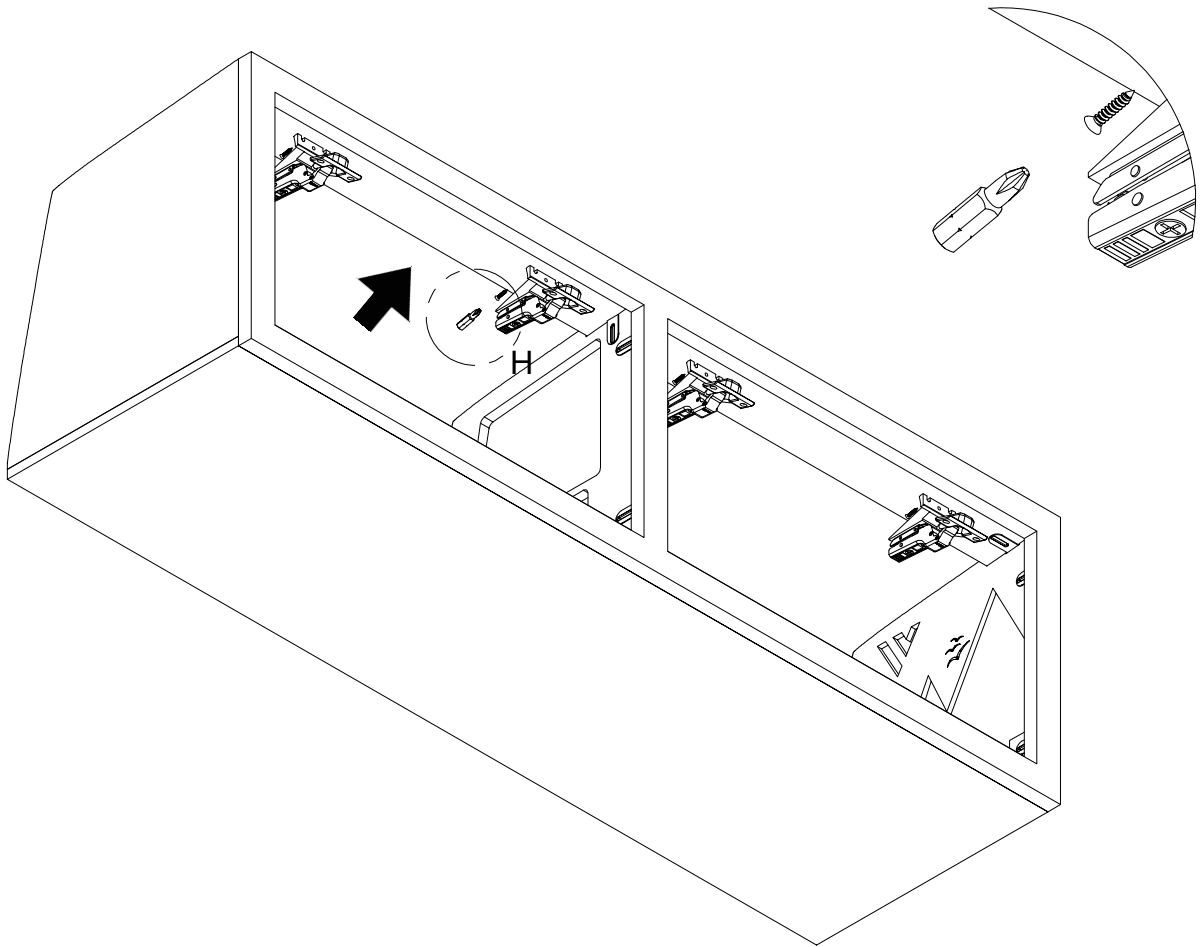


DETAIL G
Use cabineo bit to
combine face frame to sides

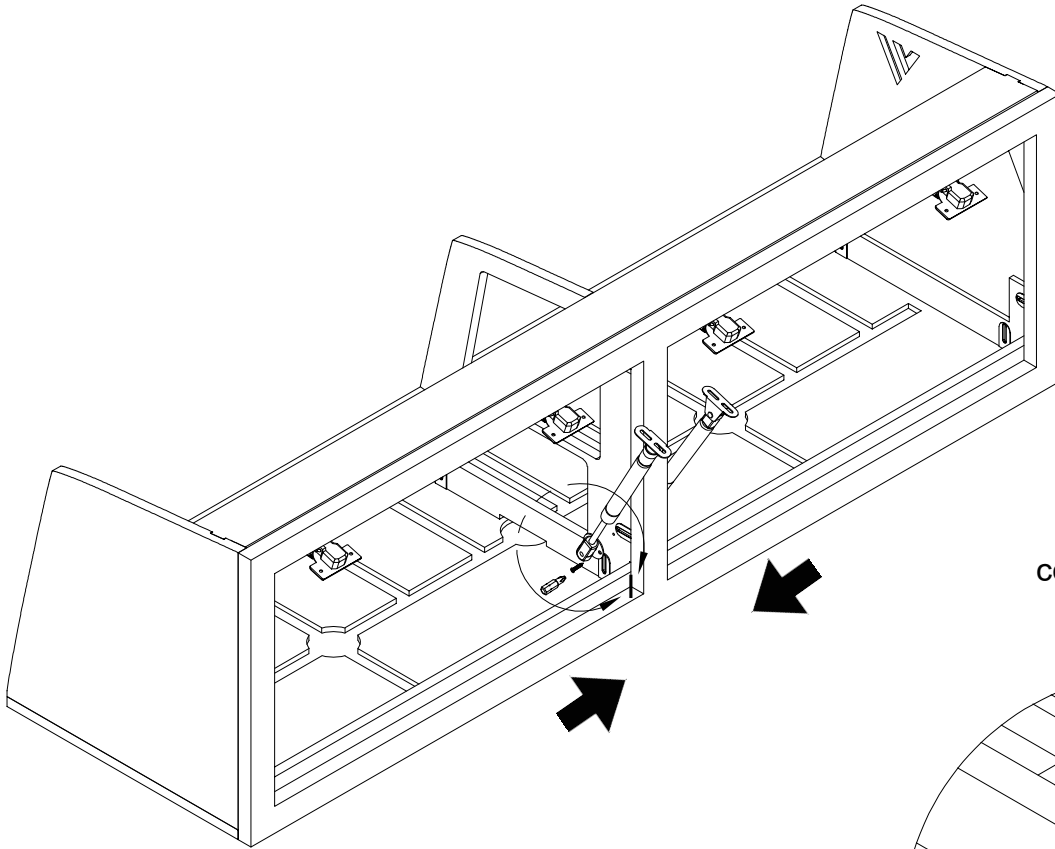


9

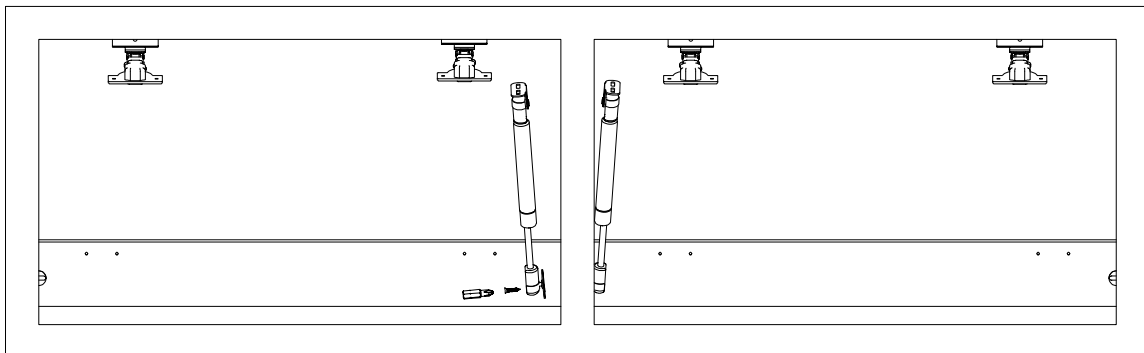
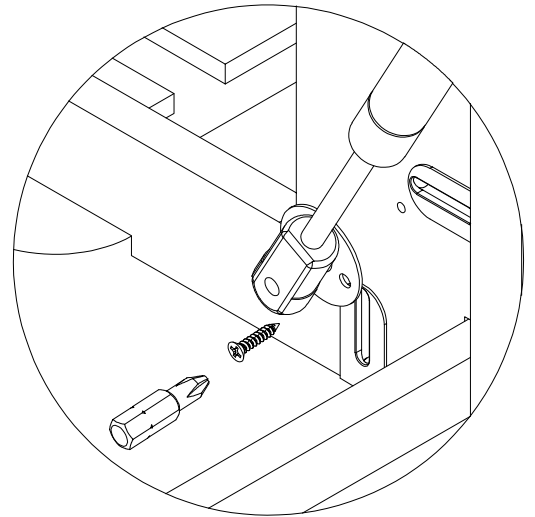
DETAIL H
Use screw bit to
combine hinges to face frame

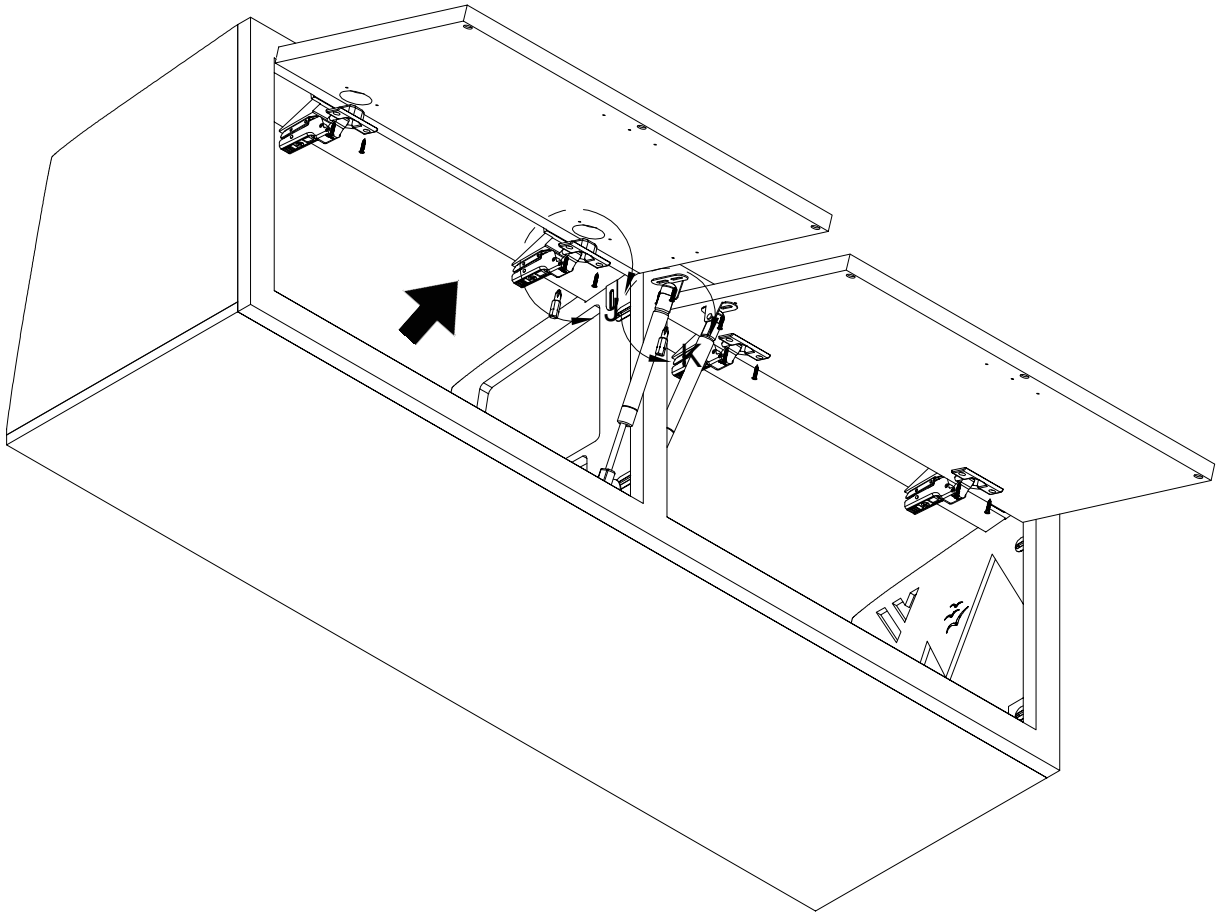


10

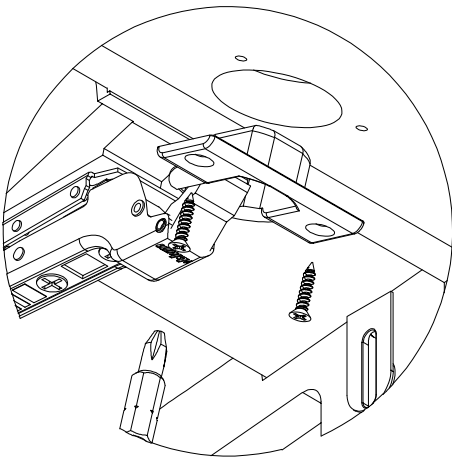


DETAIL I
Use Screw bit to
combine gasket to mid

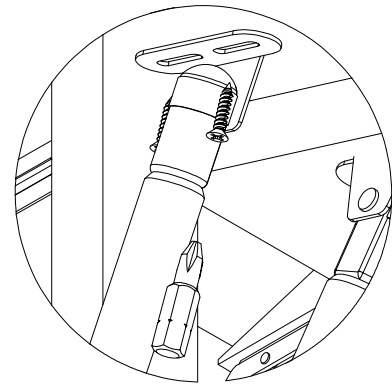




DETAIL J
Use Screw bit to
combine hinges to doors



DETAIL K
Use Screw bit to
combine gasket to doors



Close the doors

