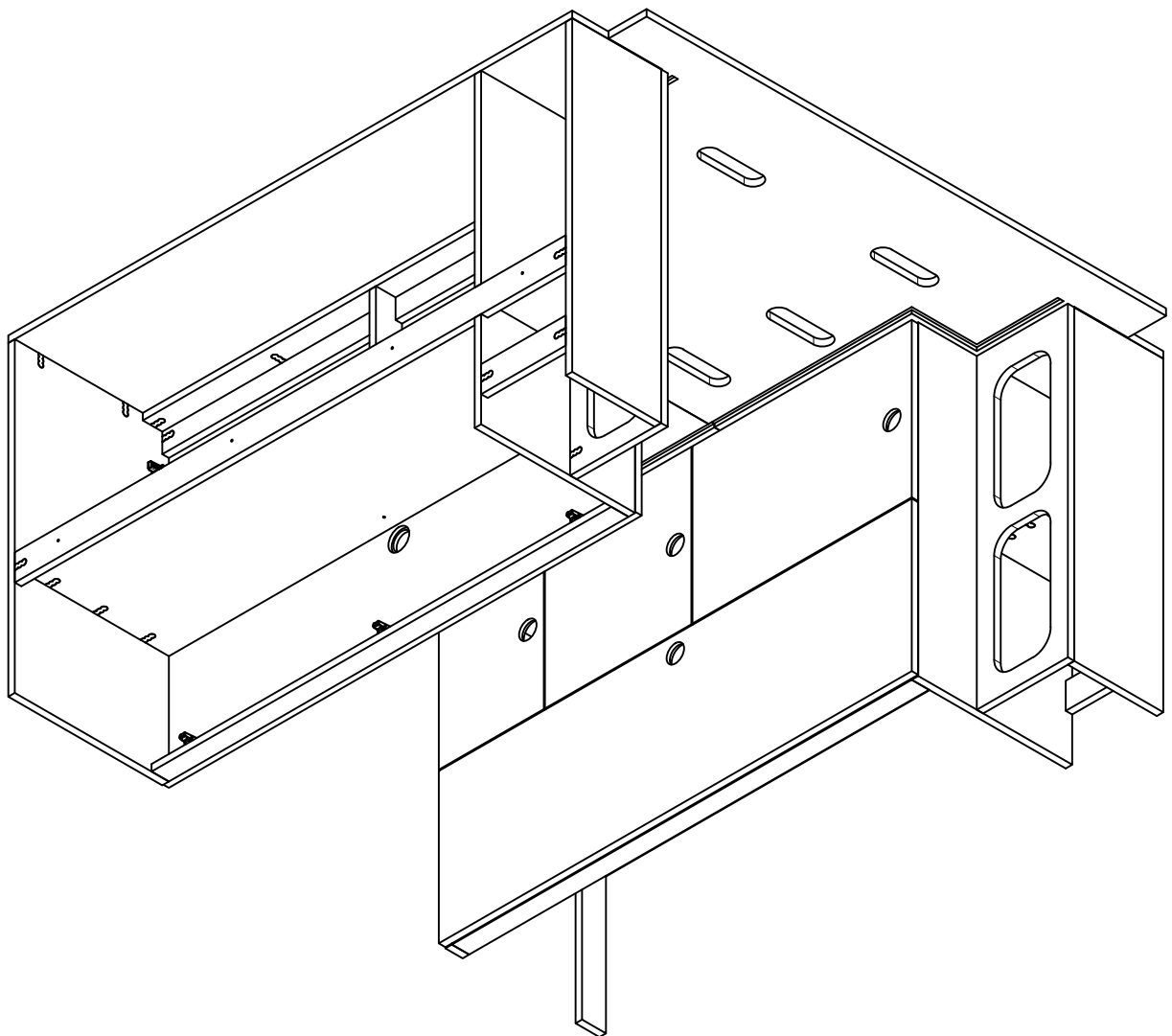
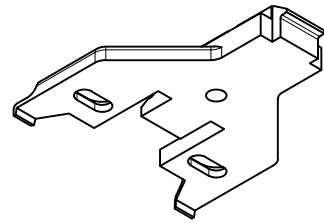


# Minimalist Garage Cabinets with Bed Panels

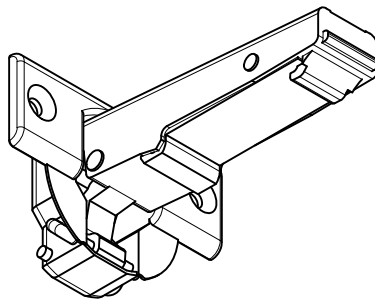




**98x**



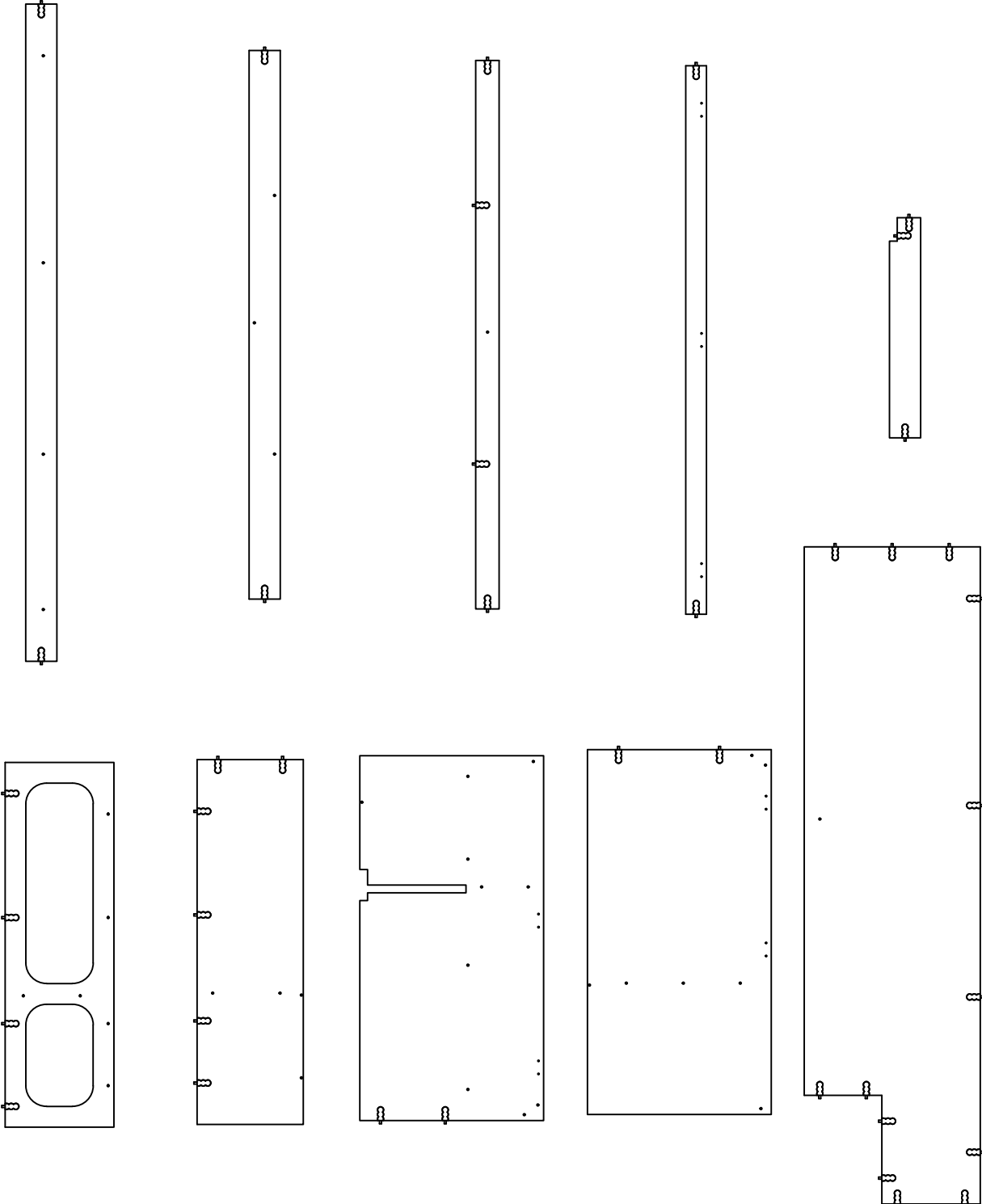
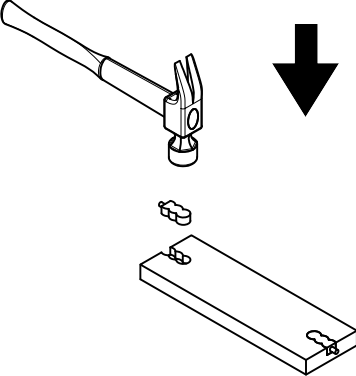
**16x**



**16x**

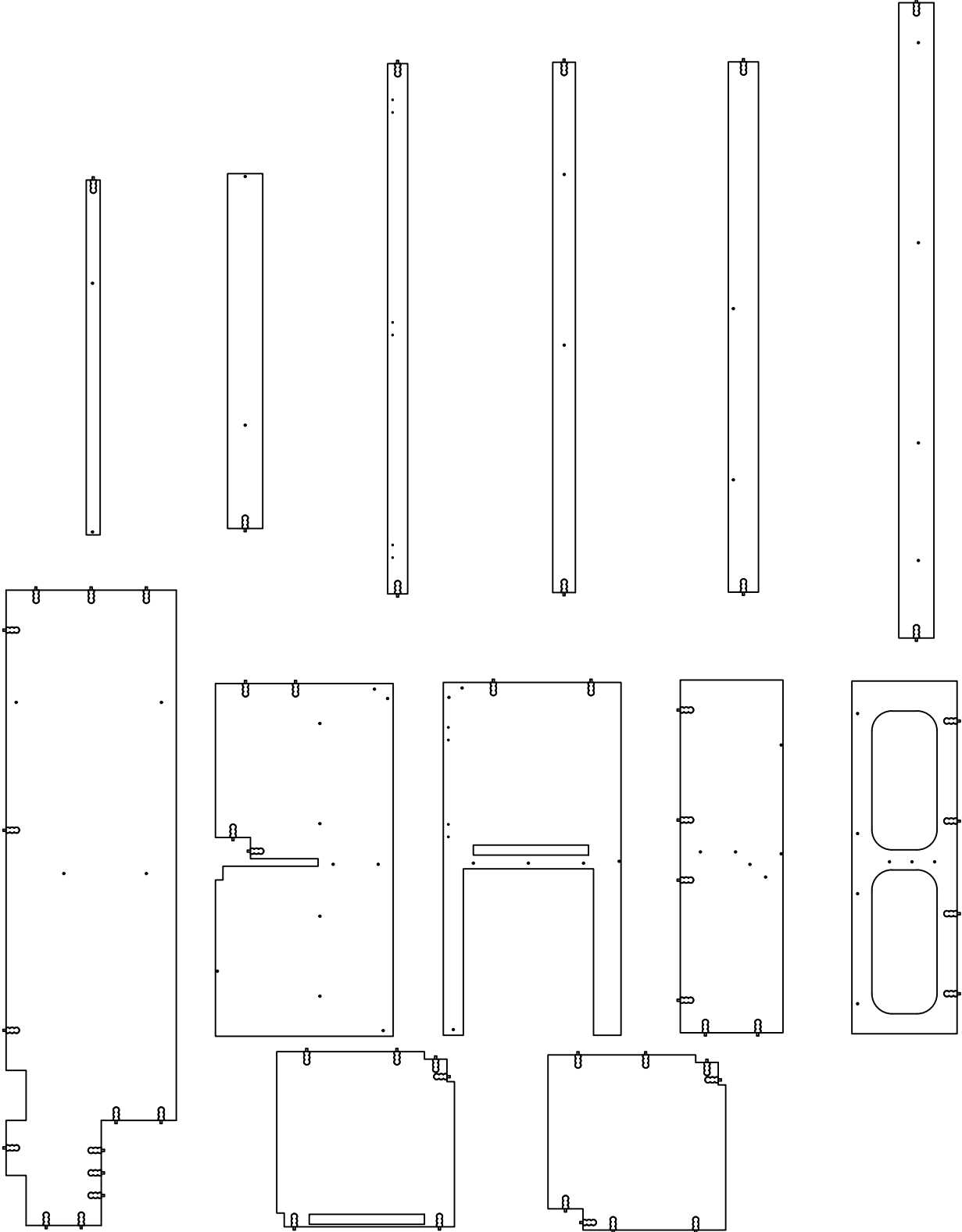
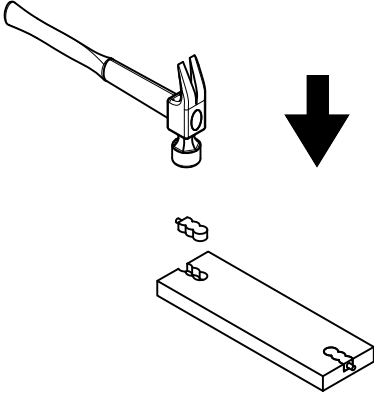
# Step 1

Insert cabineos into garage cab driver



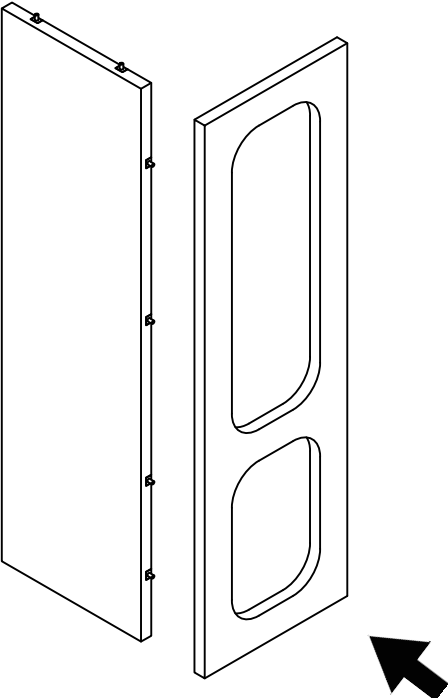
# Step 2

Insert cabineos into garage cab passenger



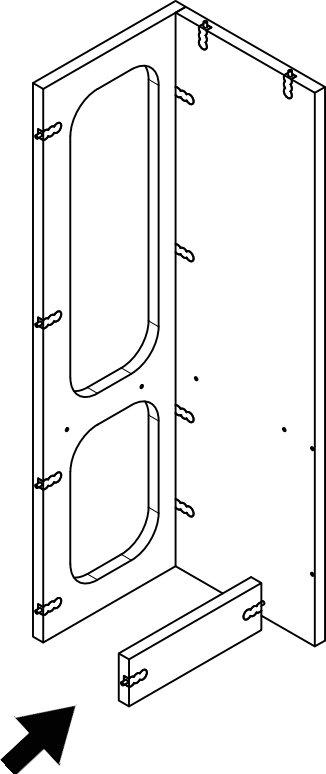
**Step 3**

Garage Cab Driver  
Combine back side to cover



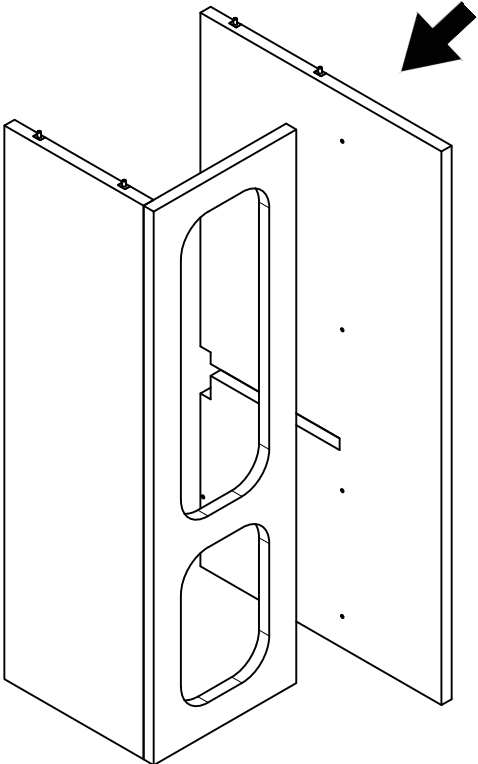
**Step 4**

Garage Cab Driver  
Combine back support



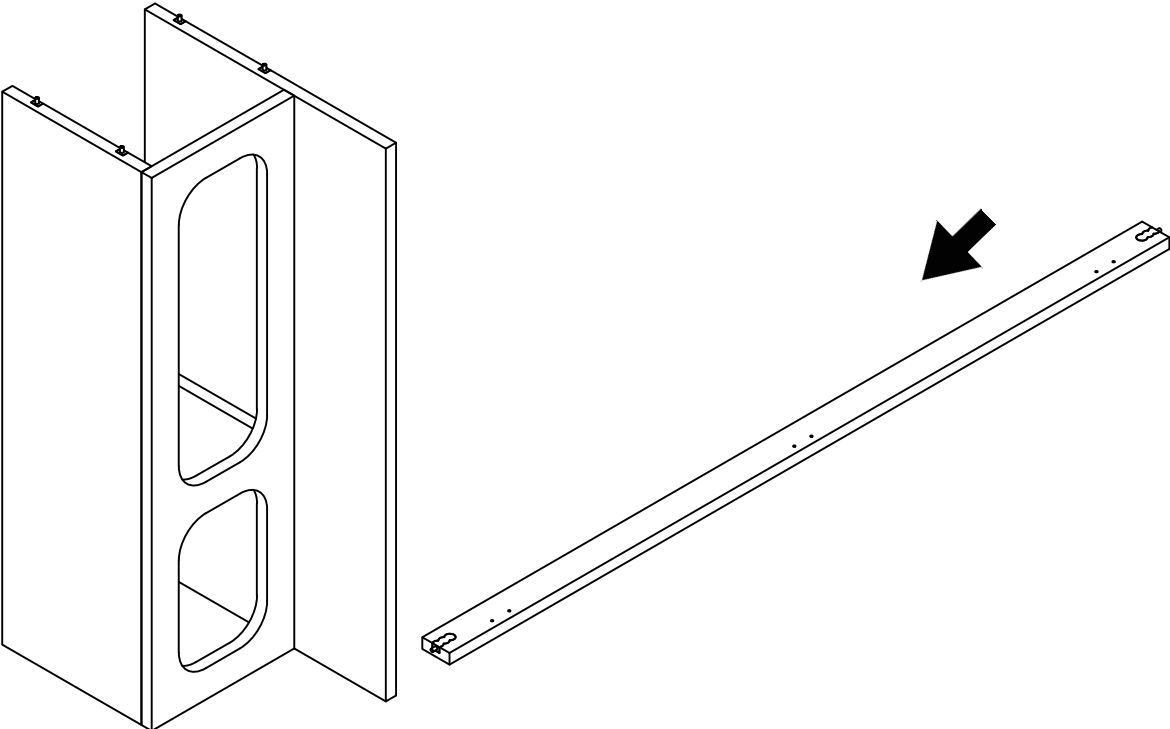
**Step 5**

Garage Cab Driver  
Combine middle divider



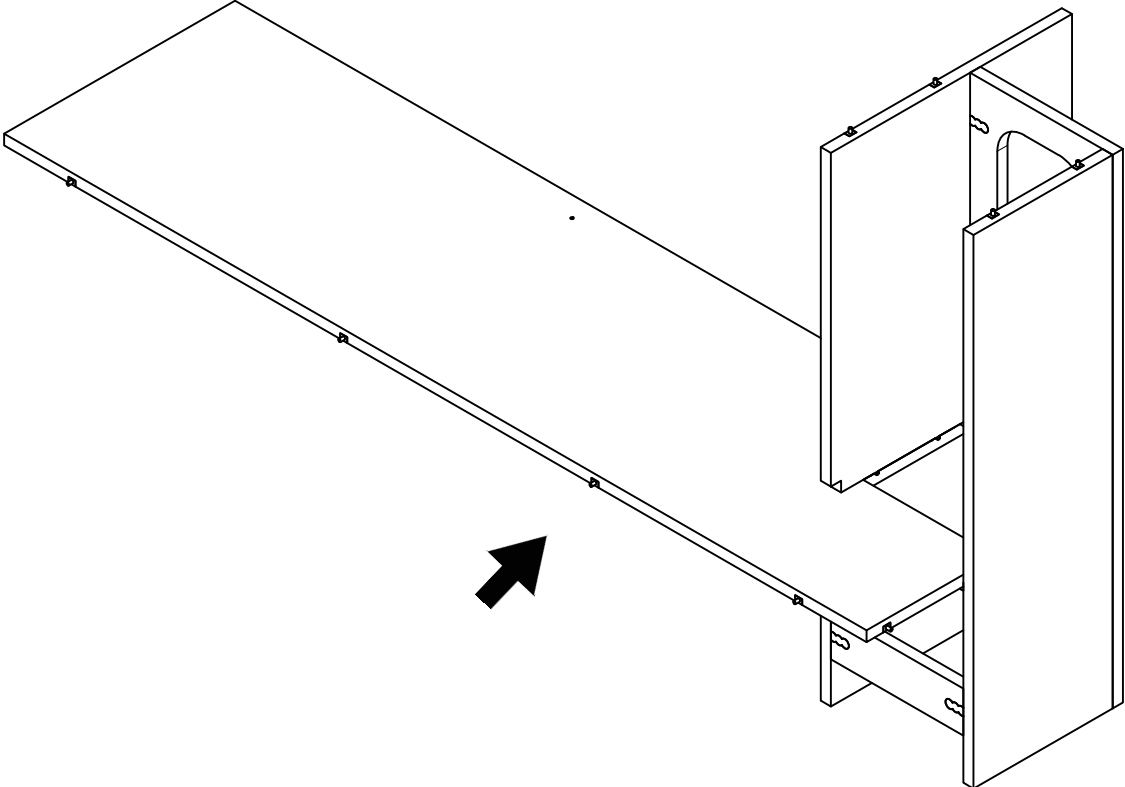
**Step 6**

Garage Cab Driver  
Combine bottom support



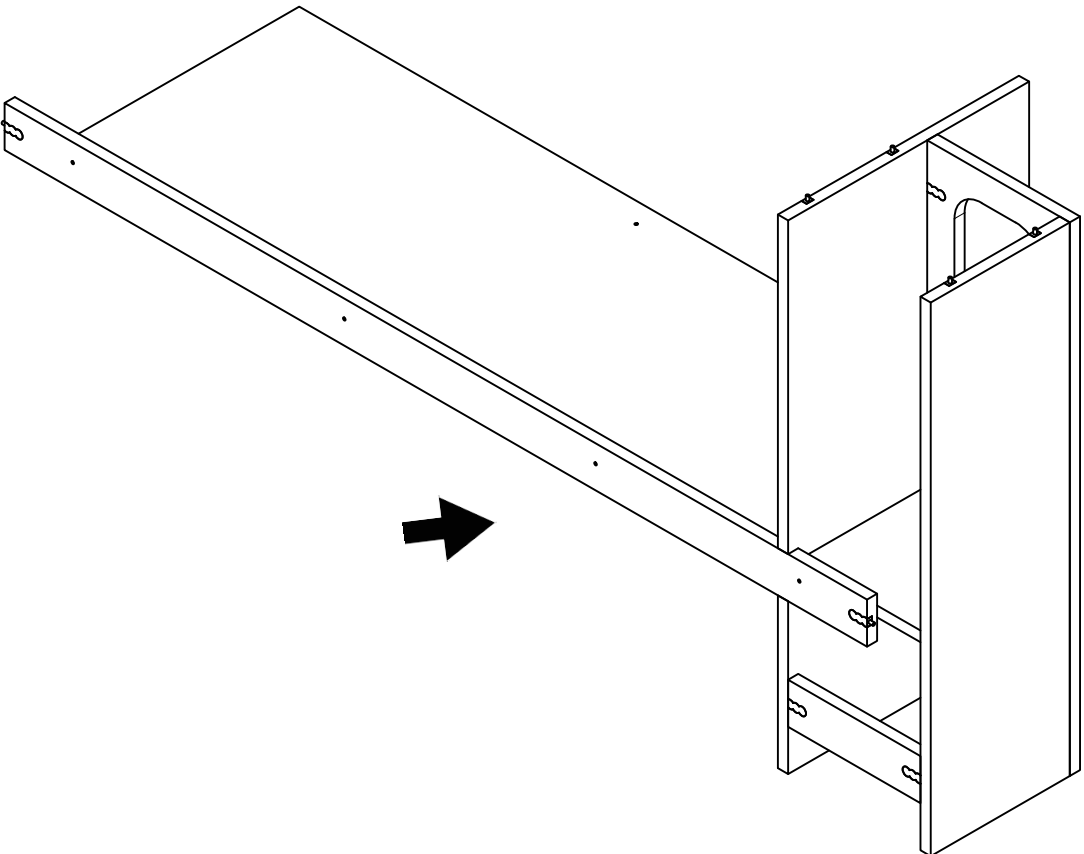
**Step 7**

Garage Cab Driver  
Combine shelf



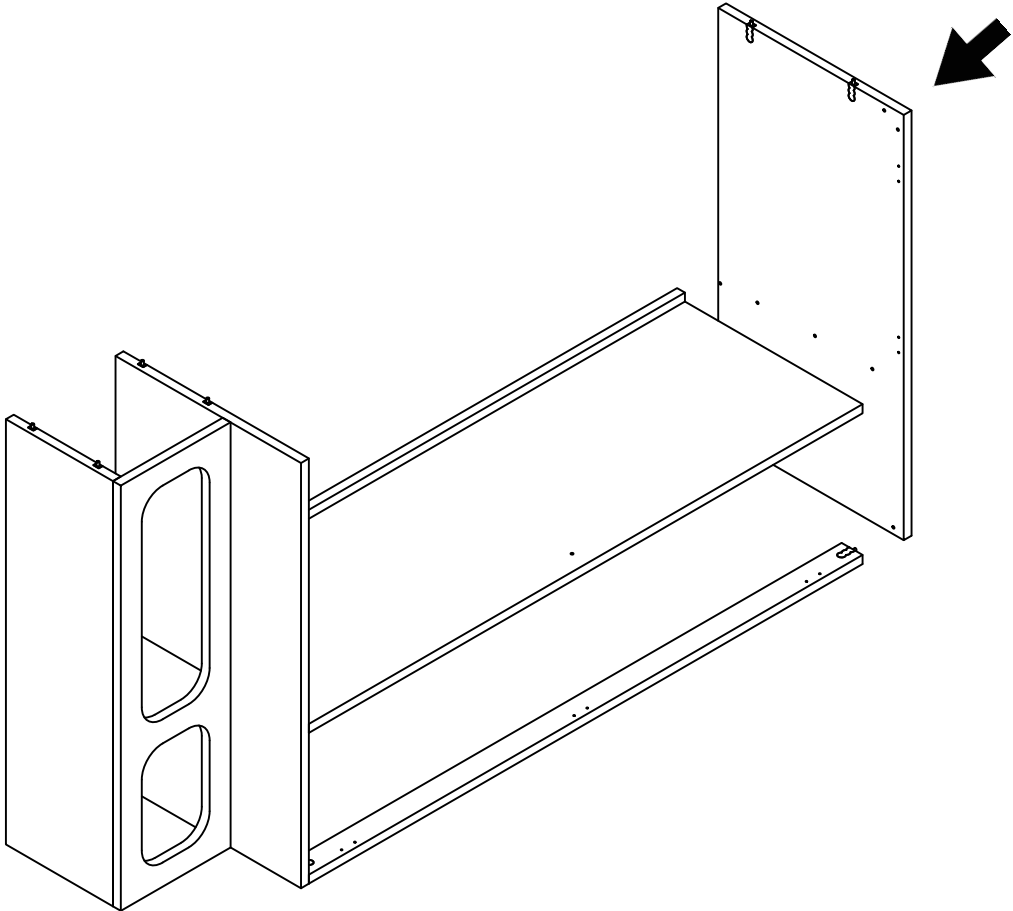
**Step 8**

Garage Cab Driver  
Combine back support 2



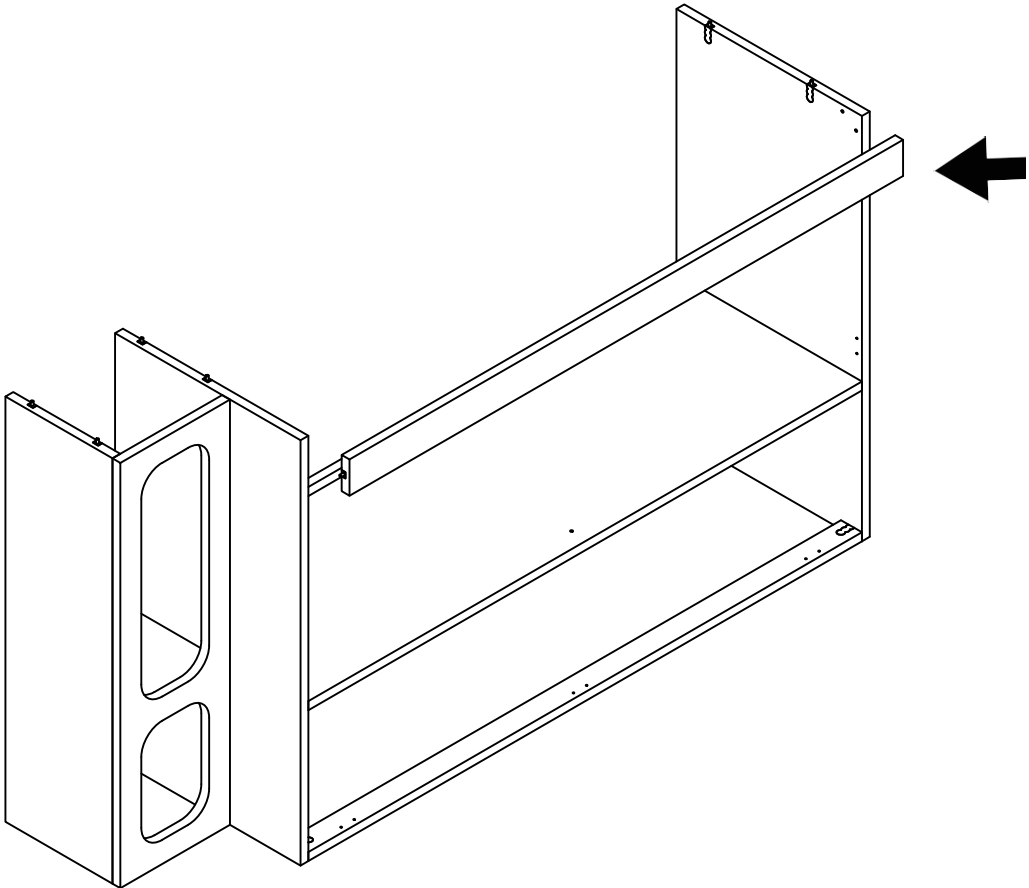
**Step 9**

Garage Cab Driver  
Combine front side



**Step 10**

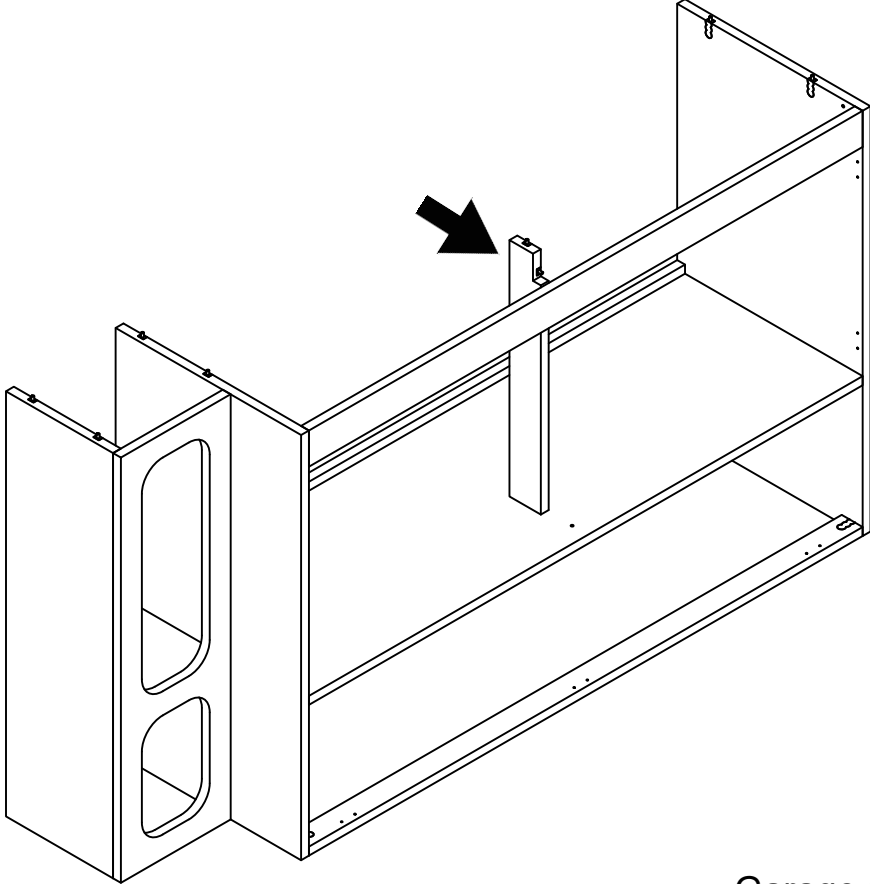
Garage Cab Driver  
Combine top support





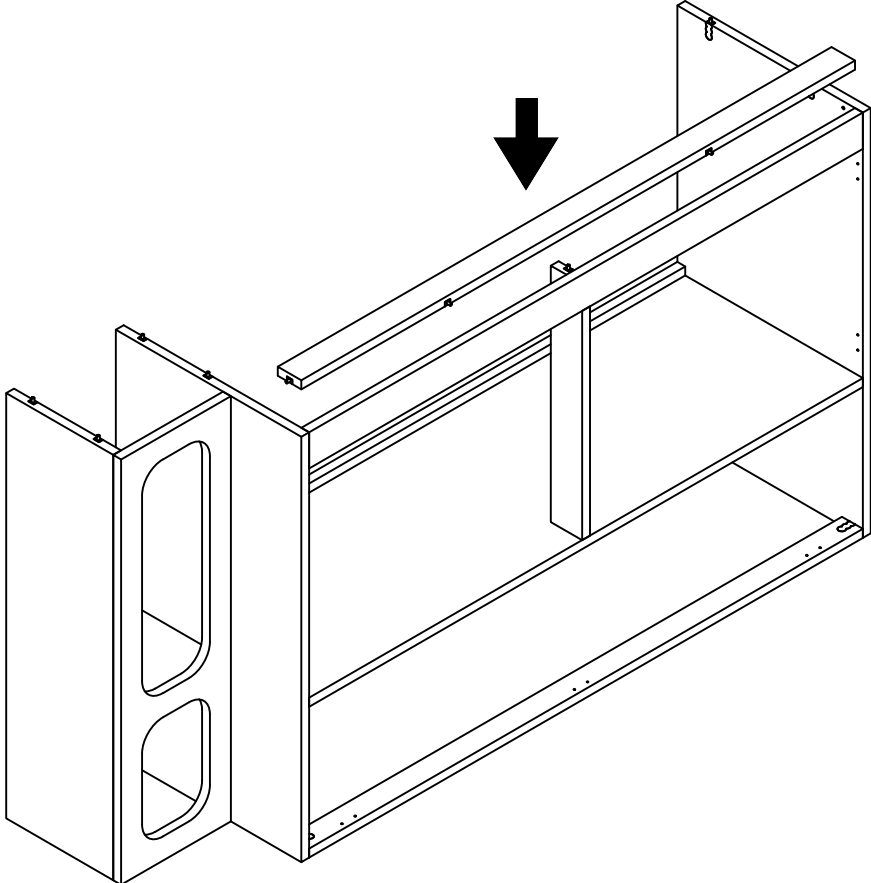
**Step 11**

Garage Cab Driver  
Combine middle support



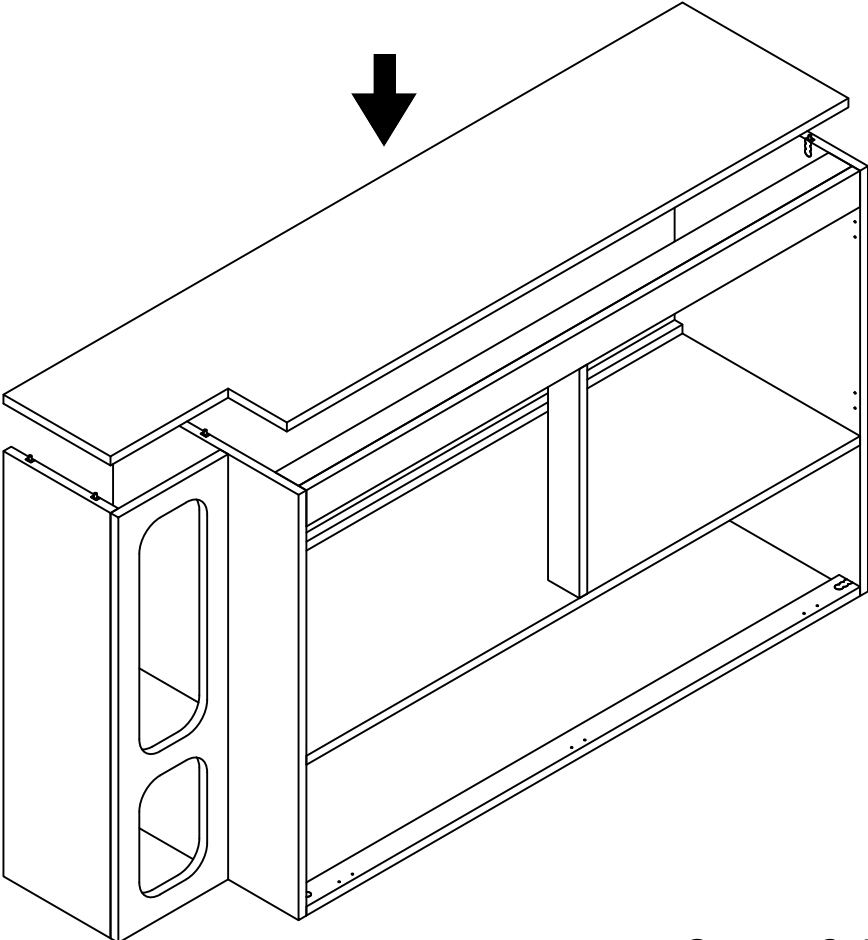
**Step 12**

Garage Cab Driver  
Combine top bed support



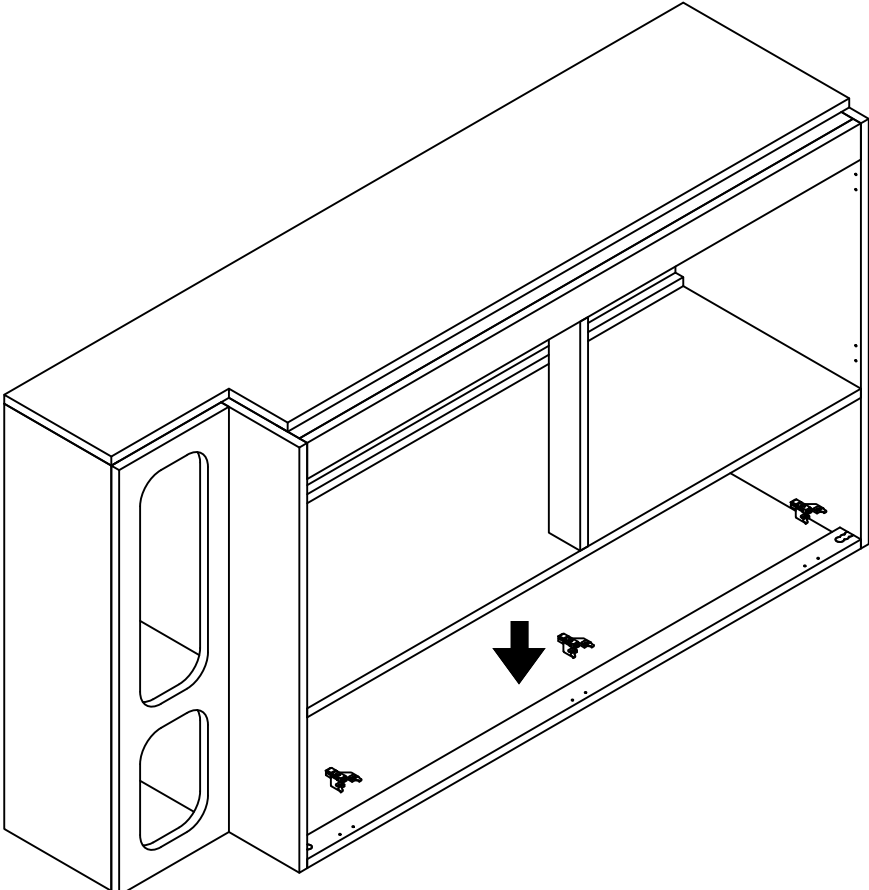
**Step 13**

Garage Cab Driver  
Combine top



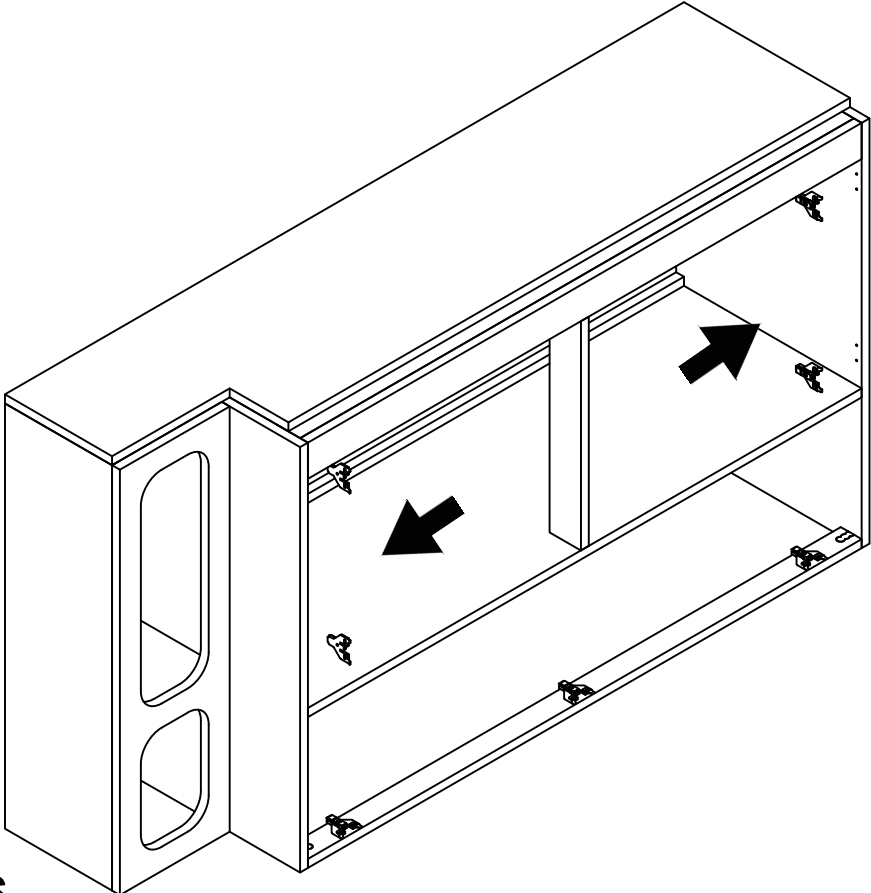
**Step 14**

Garage Cab Driver  
Install mounting plates



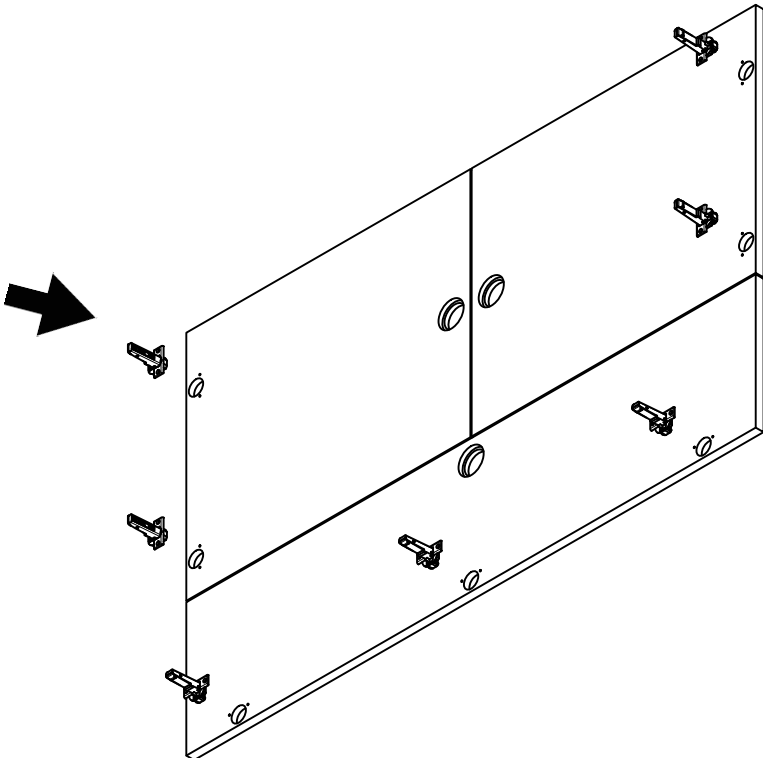
# Step 15

Garage Cab Driver  
Install mounting plates



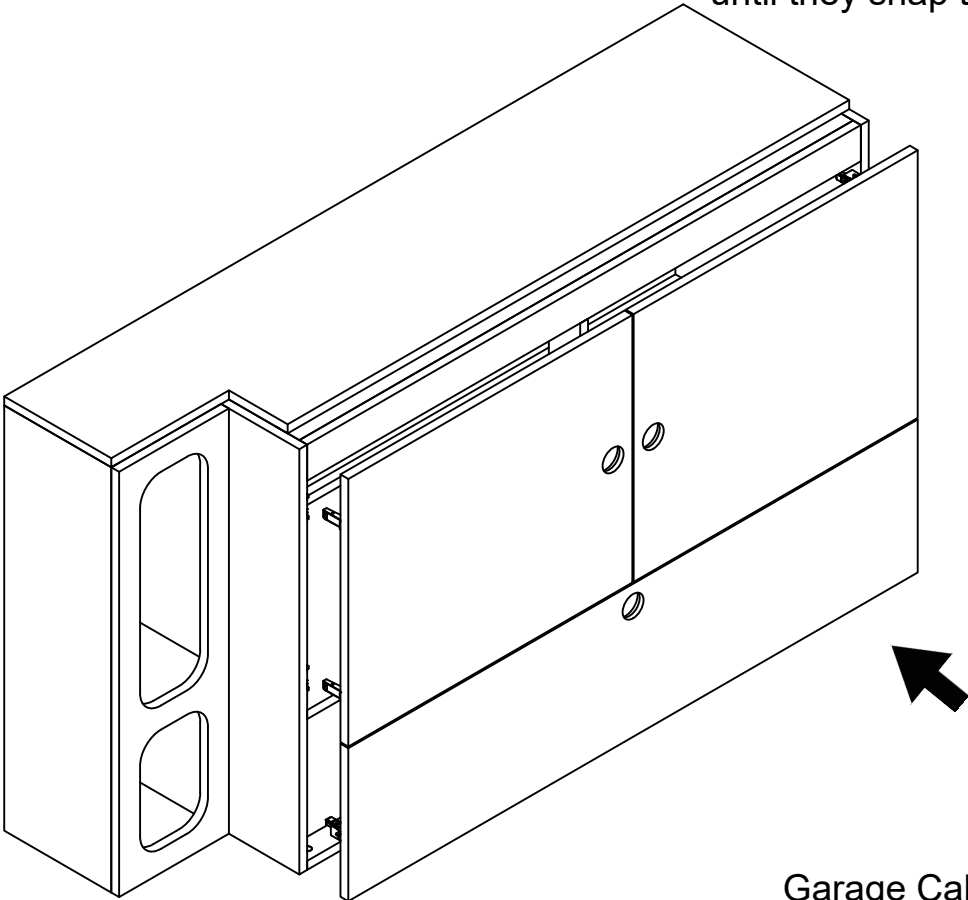
# Step 16

Garage Cab Driver  
Connect hinge arms to doors



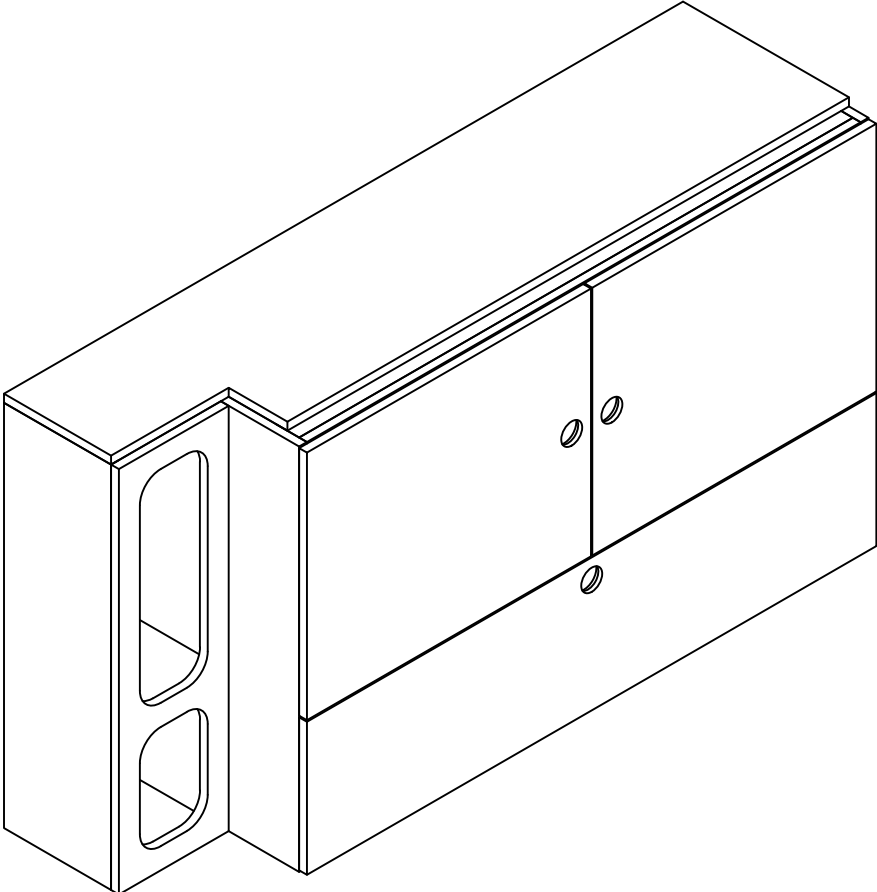
**Step 17**

Garage Cab Driver  
Install doors  
(press the hinge arm down  
until they snap to the plate)



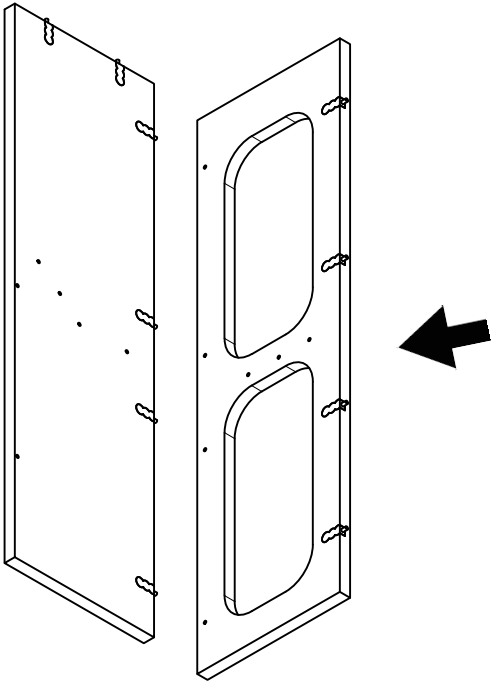
**Step 18**

Garage Cab Driver  
We got it!



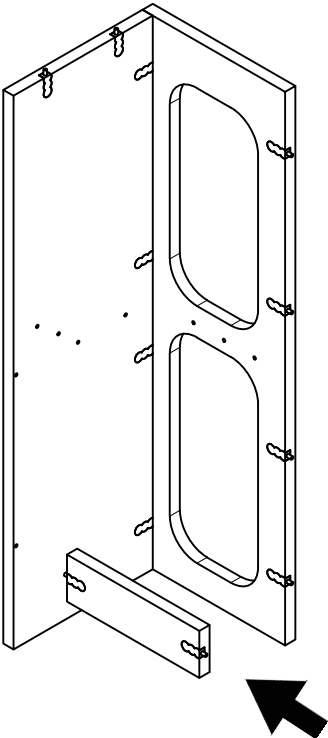
**Step 19**

Garage Cab Passenger  
Combine back side to cover



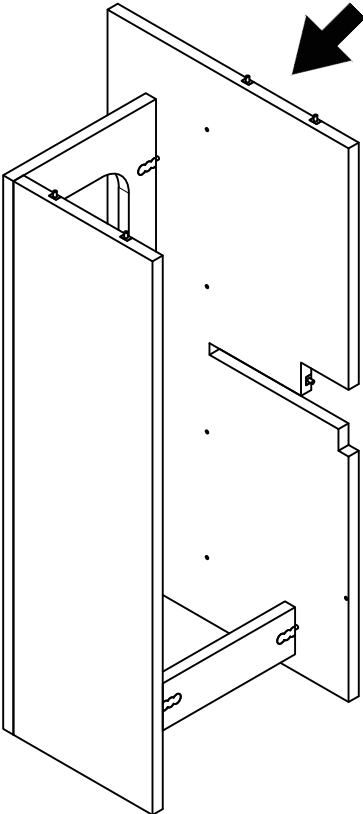
**Step 20**

Garage Cab Passenger  
Combine back support



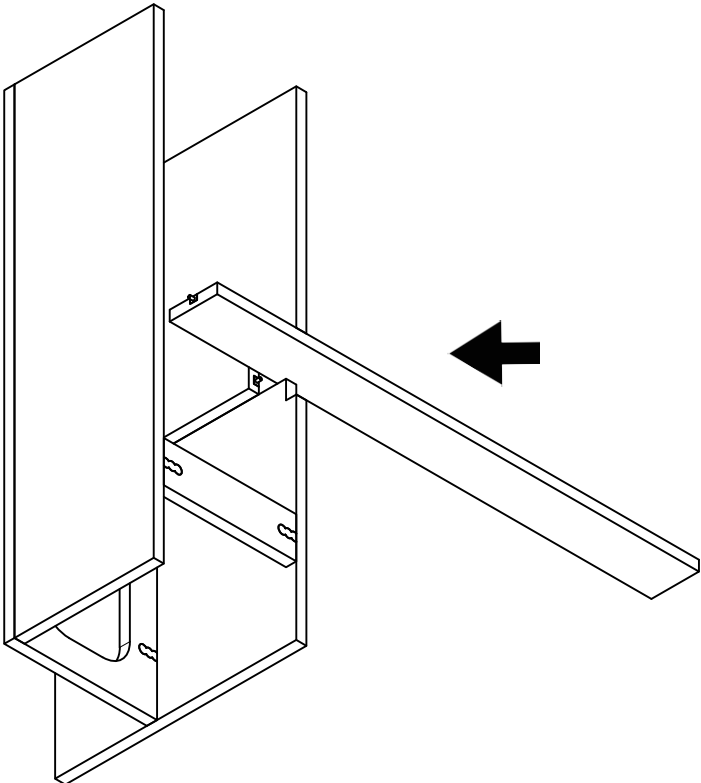
**Step 21**

Garage Cab Passenger  
Combine middle divider



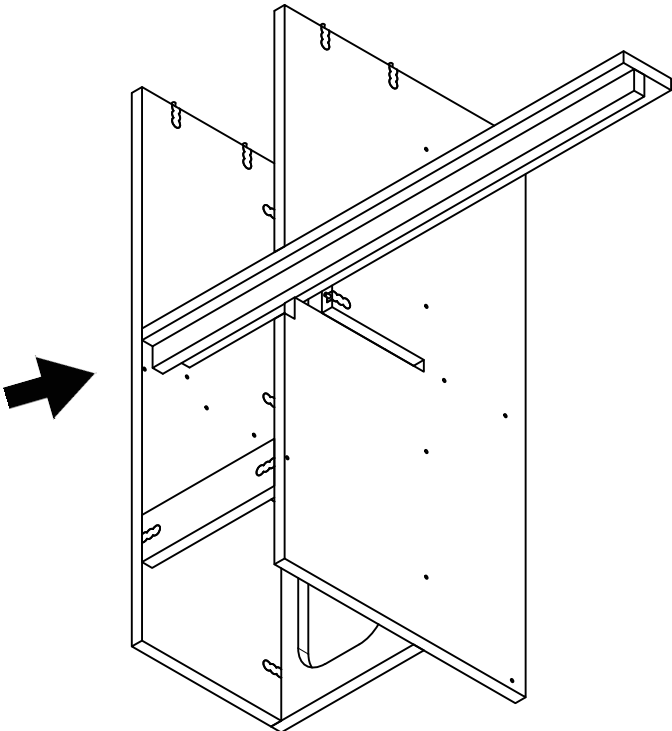
**Step 22**

Garage Cab Passenger  
Combine middle support



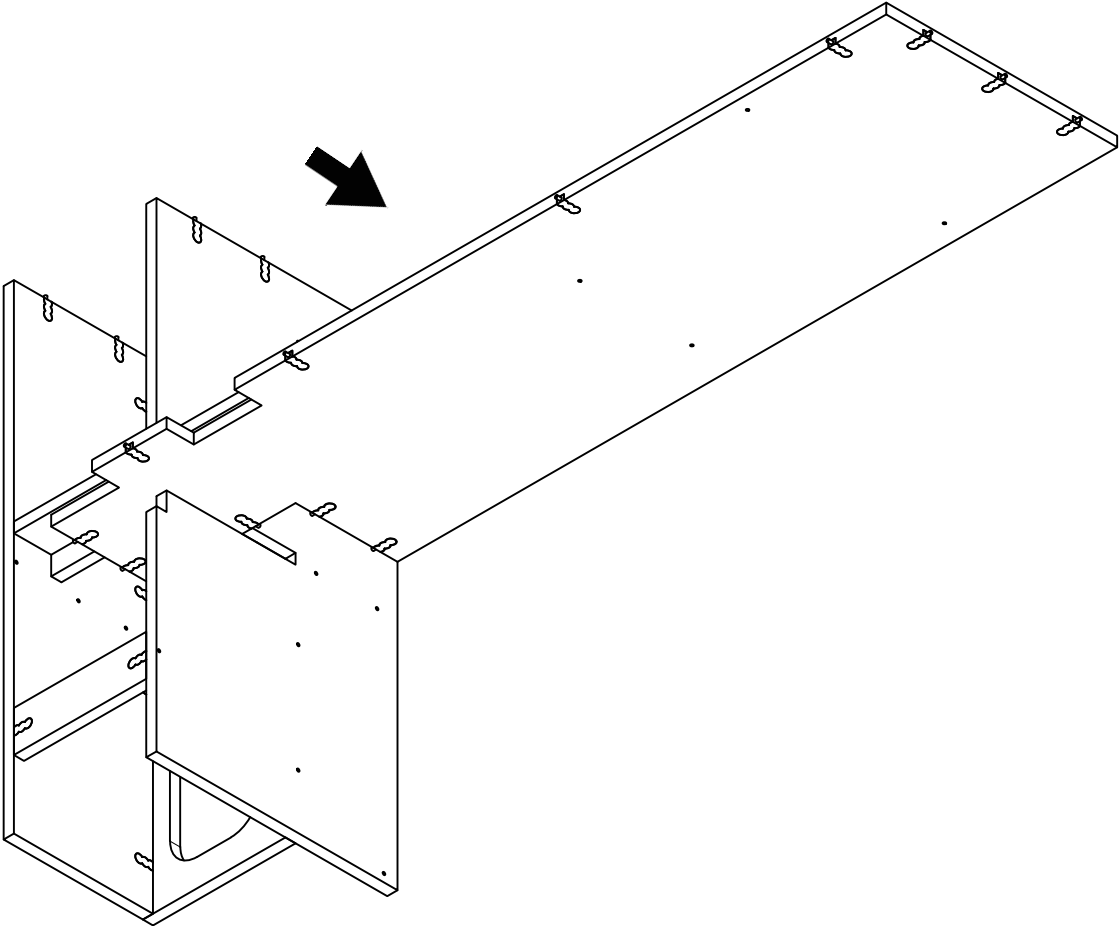
**Step 23**

Garage Cab Passenger  
Combine middle support 2



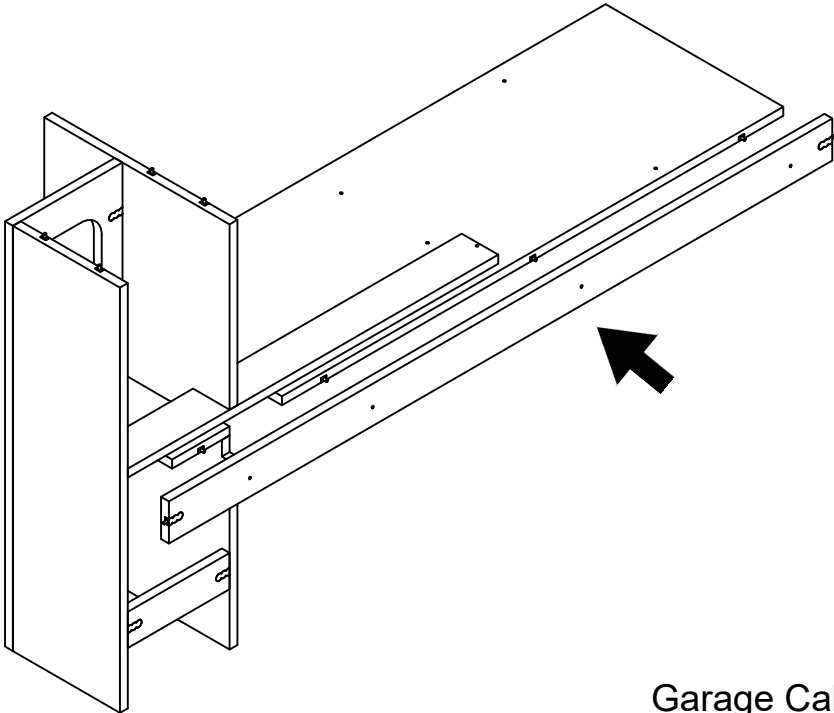
**Step 24**

Garage Cab Passenger  
Combine shelf



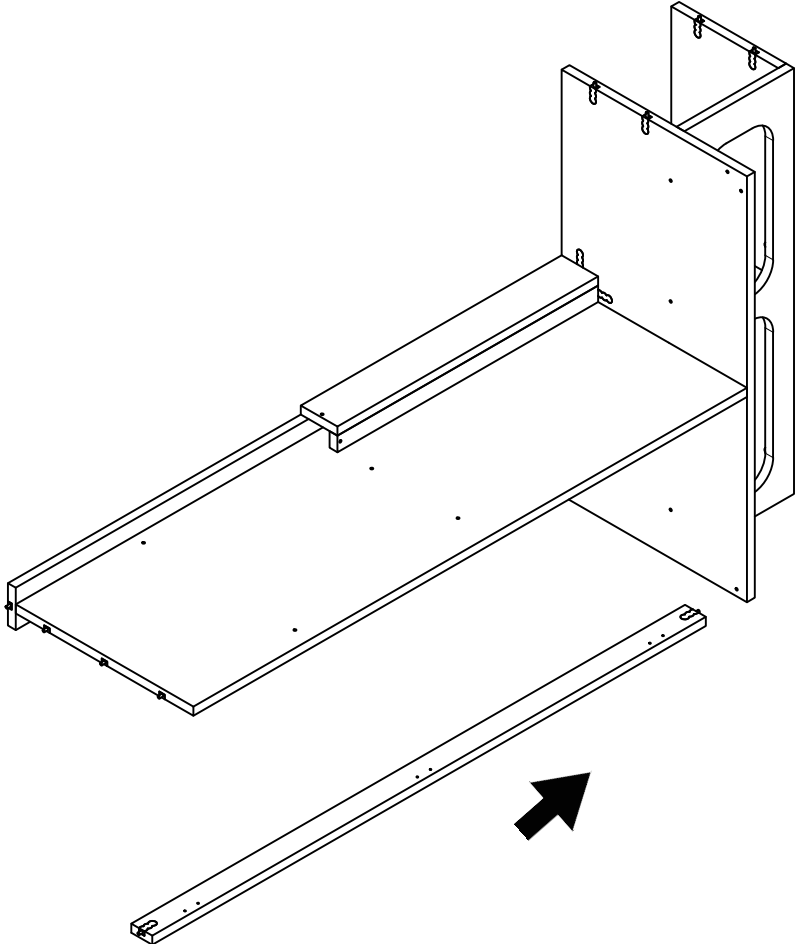
**Step 25**

Garage Cab Passenger  
Combine back support 2



**Step 26**

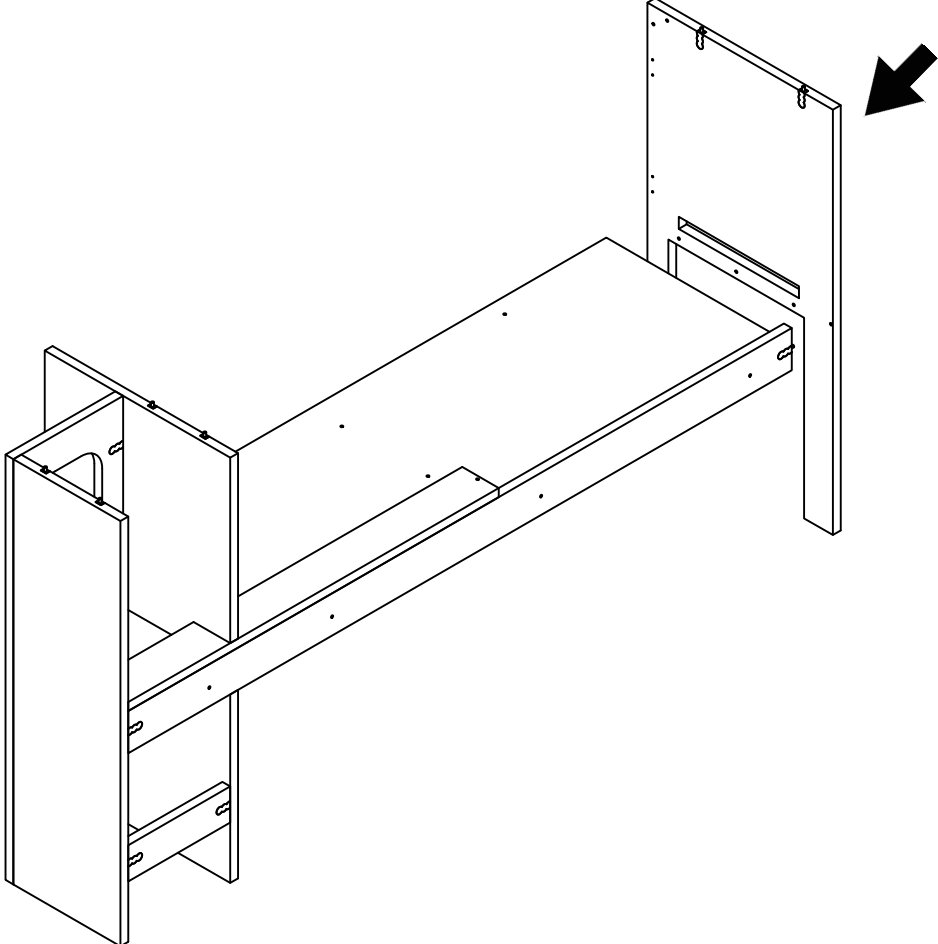
Garage Cab Passenger  
Combine bottom support





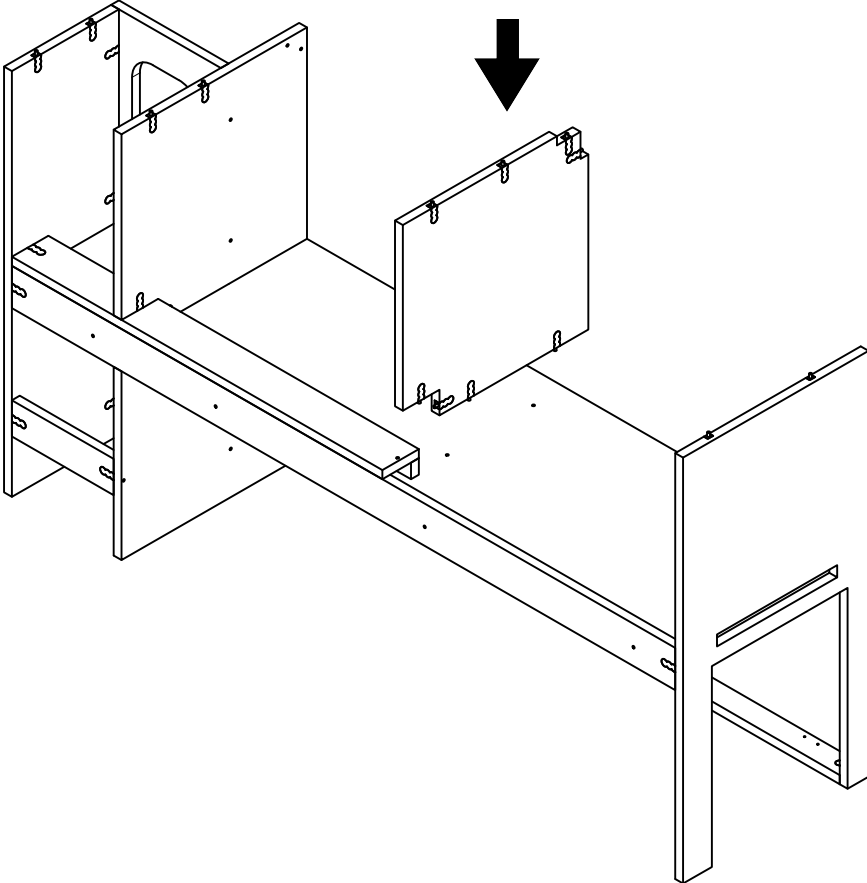
**Step 27**

Garage Cab Passenger  
Combine front side



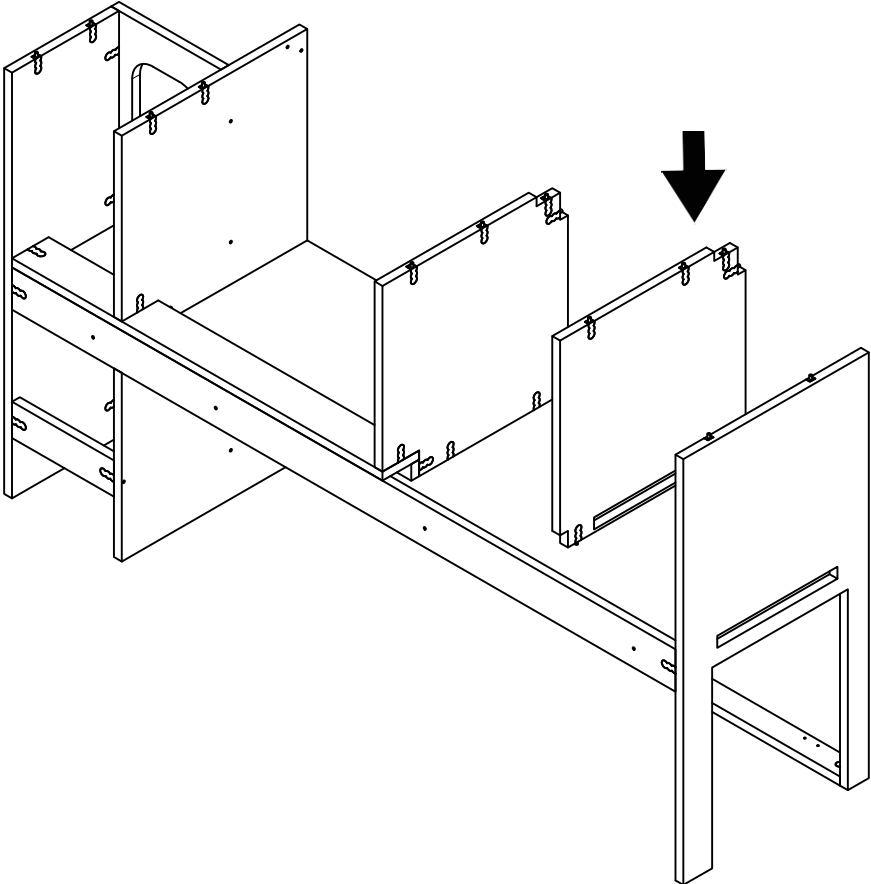
**Step 28**

Garage Cab Passenger  
Combine middle divider 2



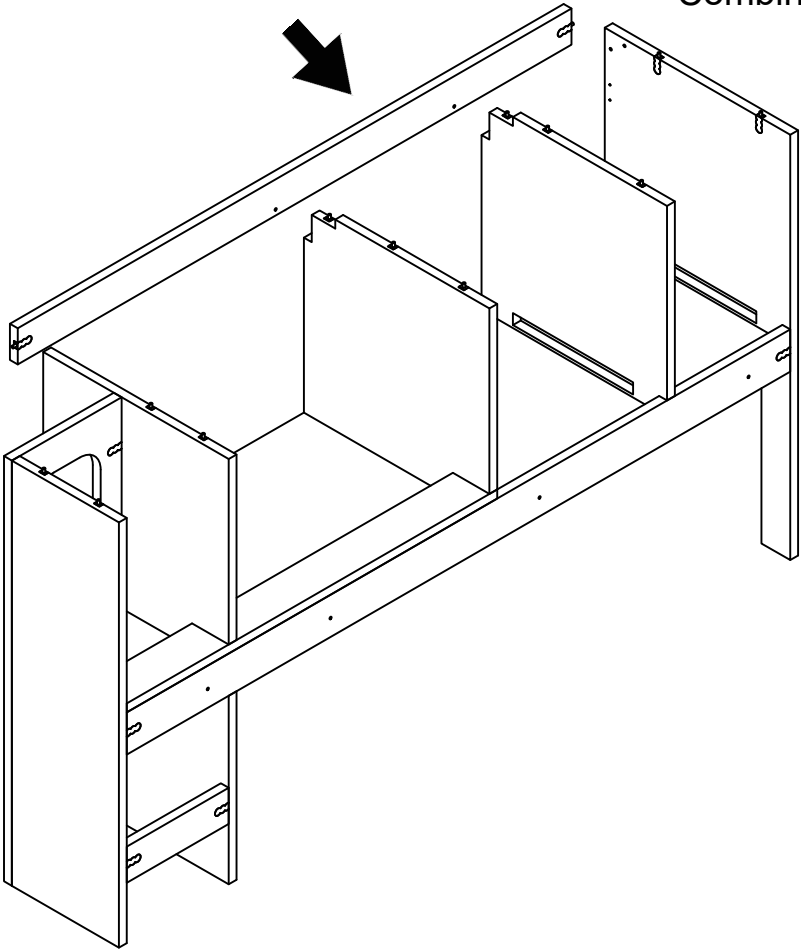
# Step 29

Garage Cab Passenger  
Combine middle divider 3



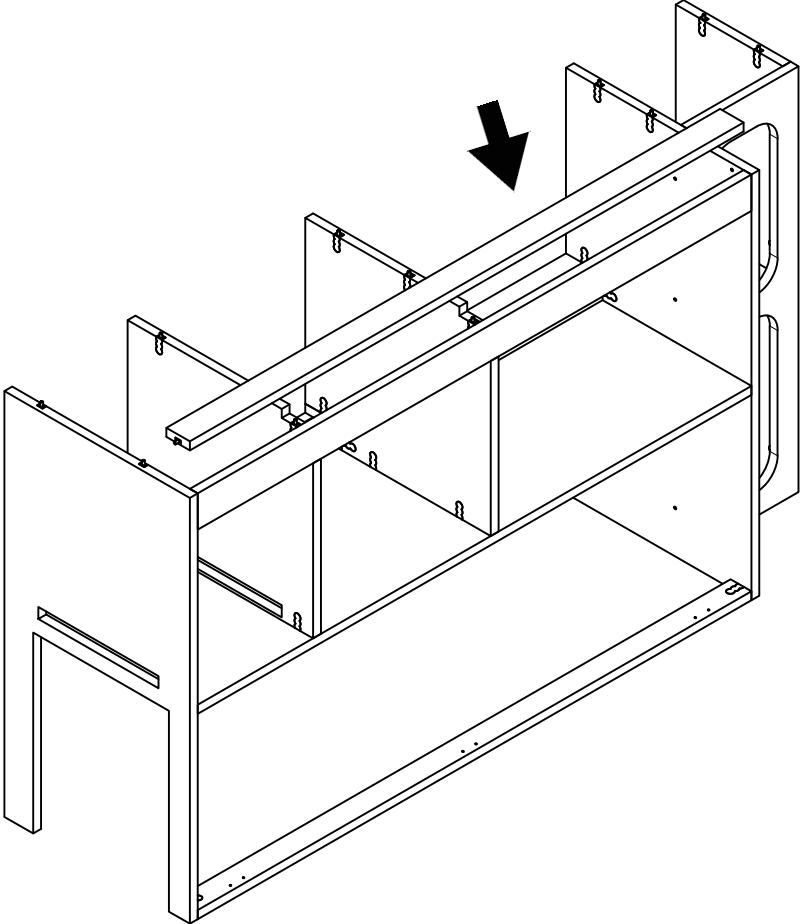
# Step 30

Garage Cab Passenger  
Combine front support



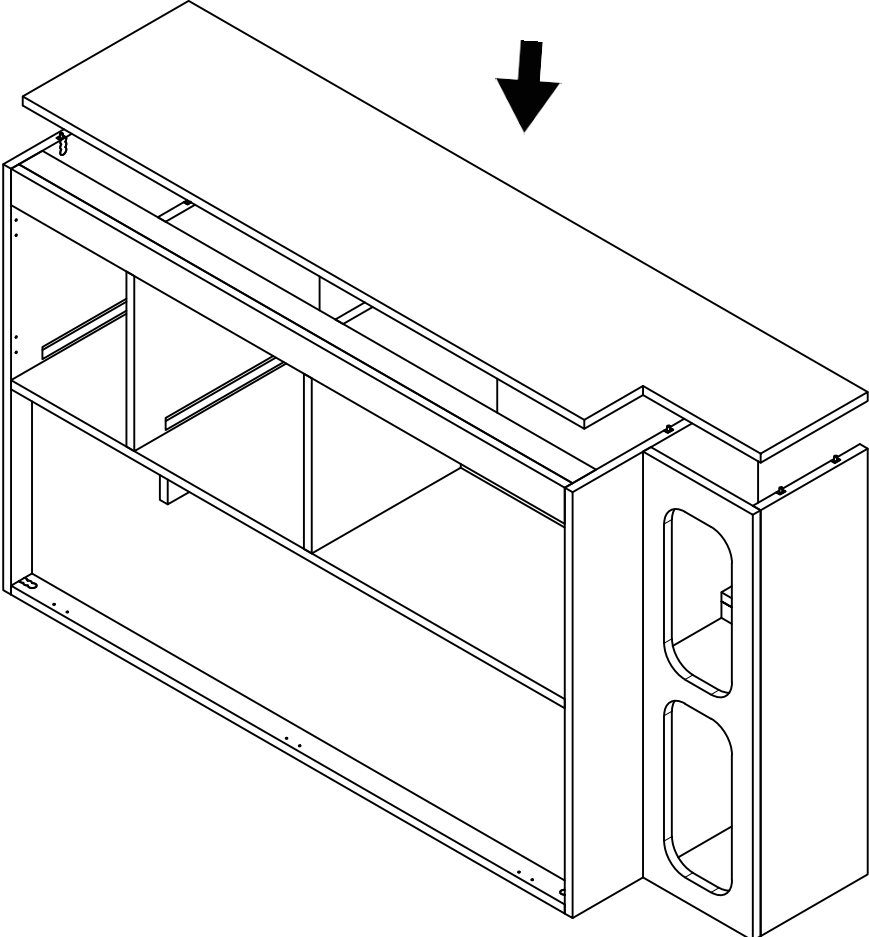
**Step 31**

Garage Cab Passenger  
Combine top bed support



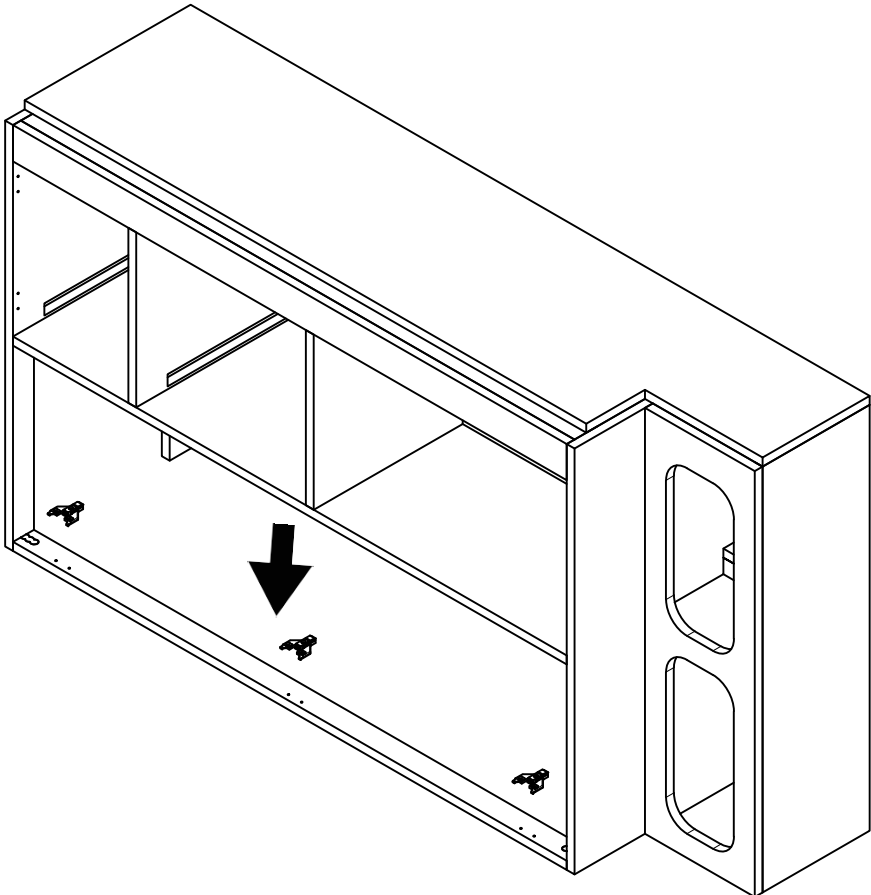
**Step 32**

Garage Cab Passenger  
Combine top



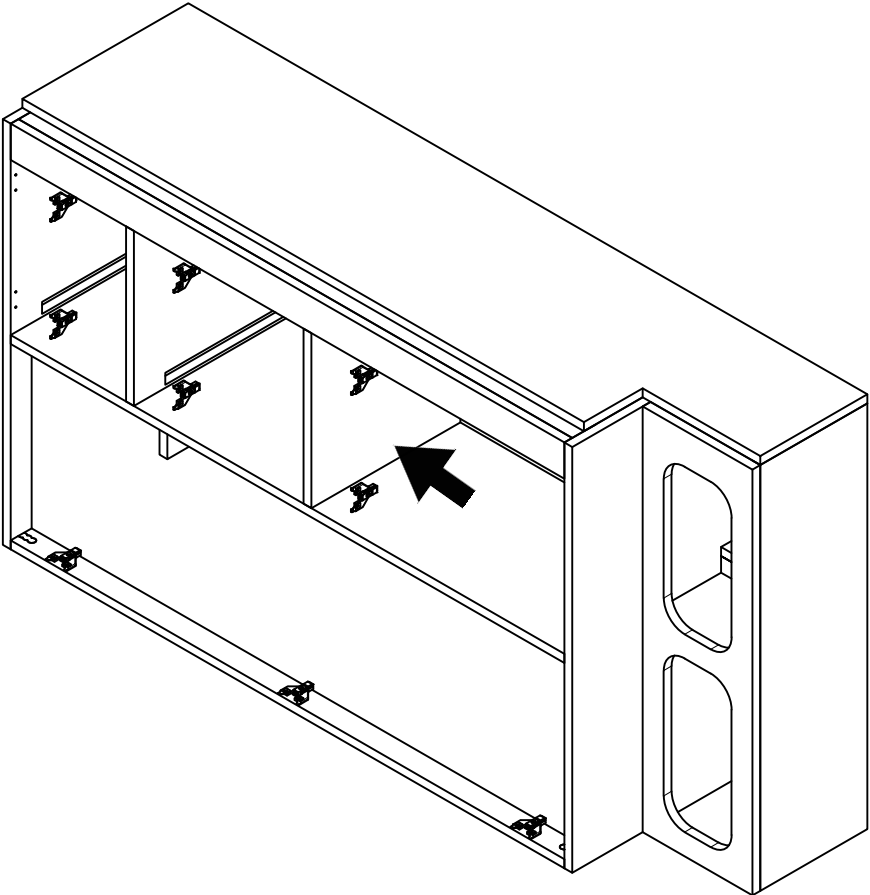
**Step 33**

Garage Cab Passenger  
Install mounting plates



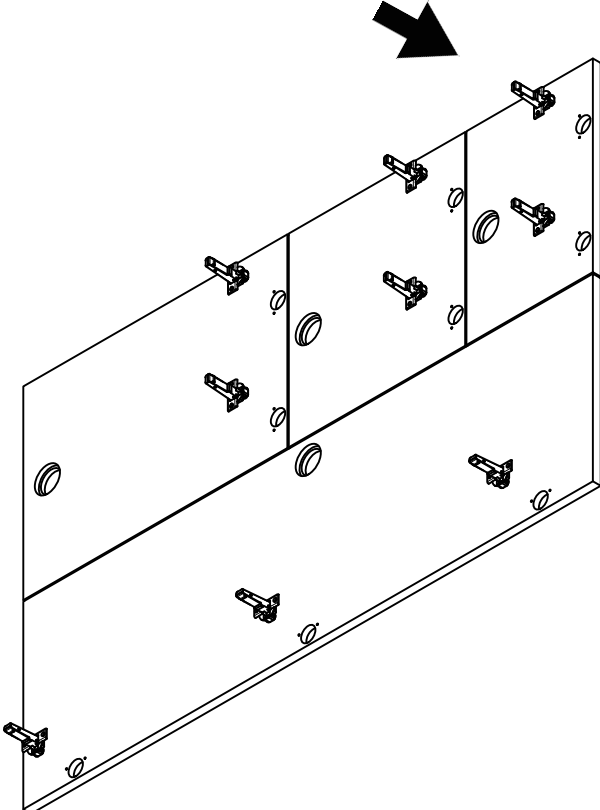
**Step 34**

Garage Cab Passenger  
Install mounting plates



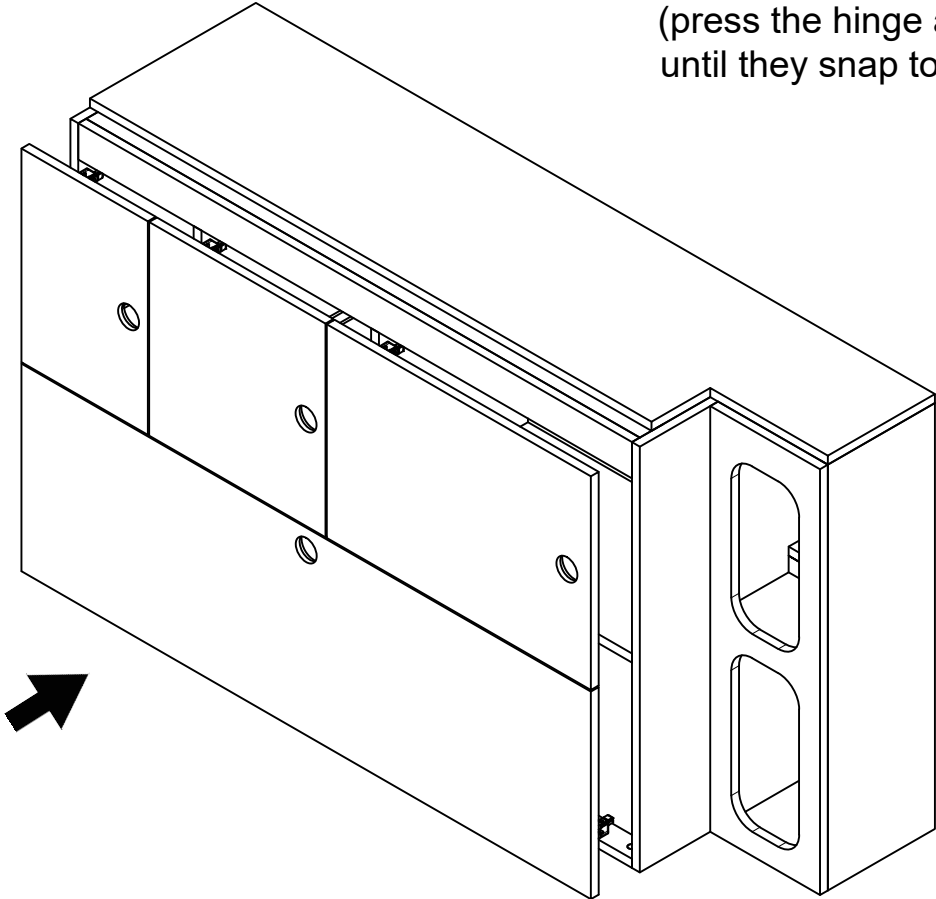
# Step 35

Garage Cab Passenger  
Connect hinge arms to doors



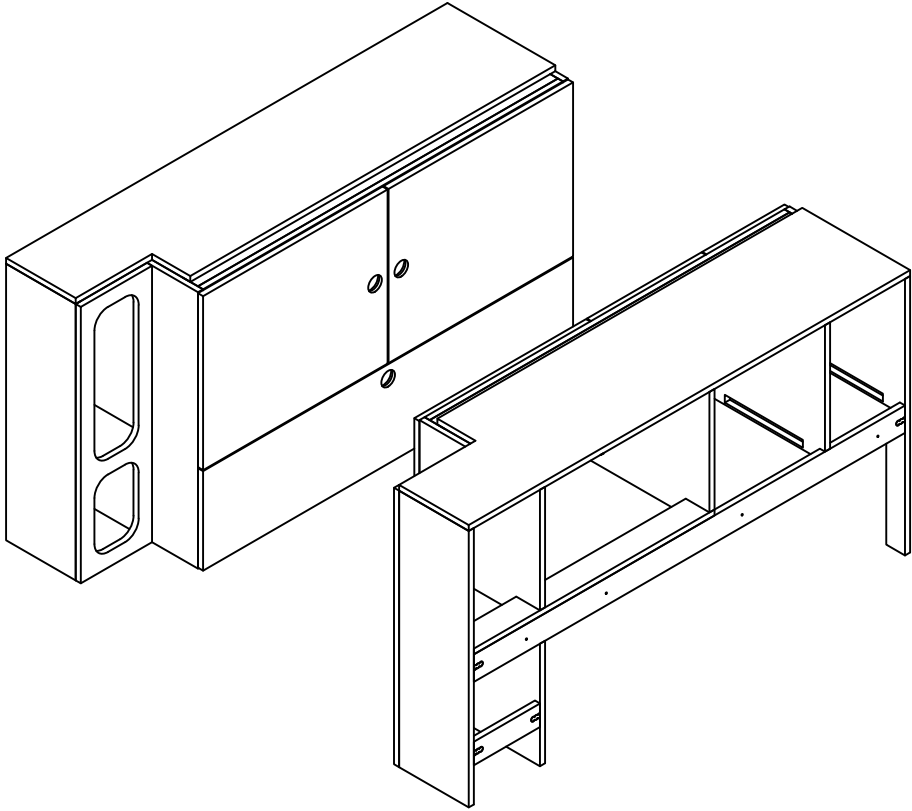
# Step 36

Garage Cab Passenger  
Install doors  
(press the hinge arm down until they snap to the plate)



# Step 37

Garage Cab Passenger  
&  
Garage Cab Driver  
(facing to each other)



# Step 38

Place bed panels

