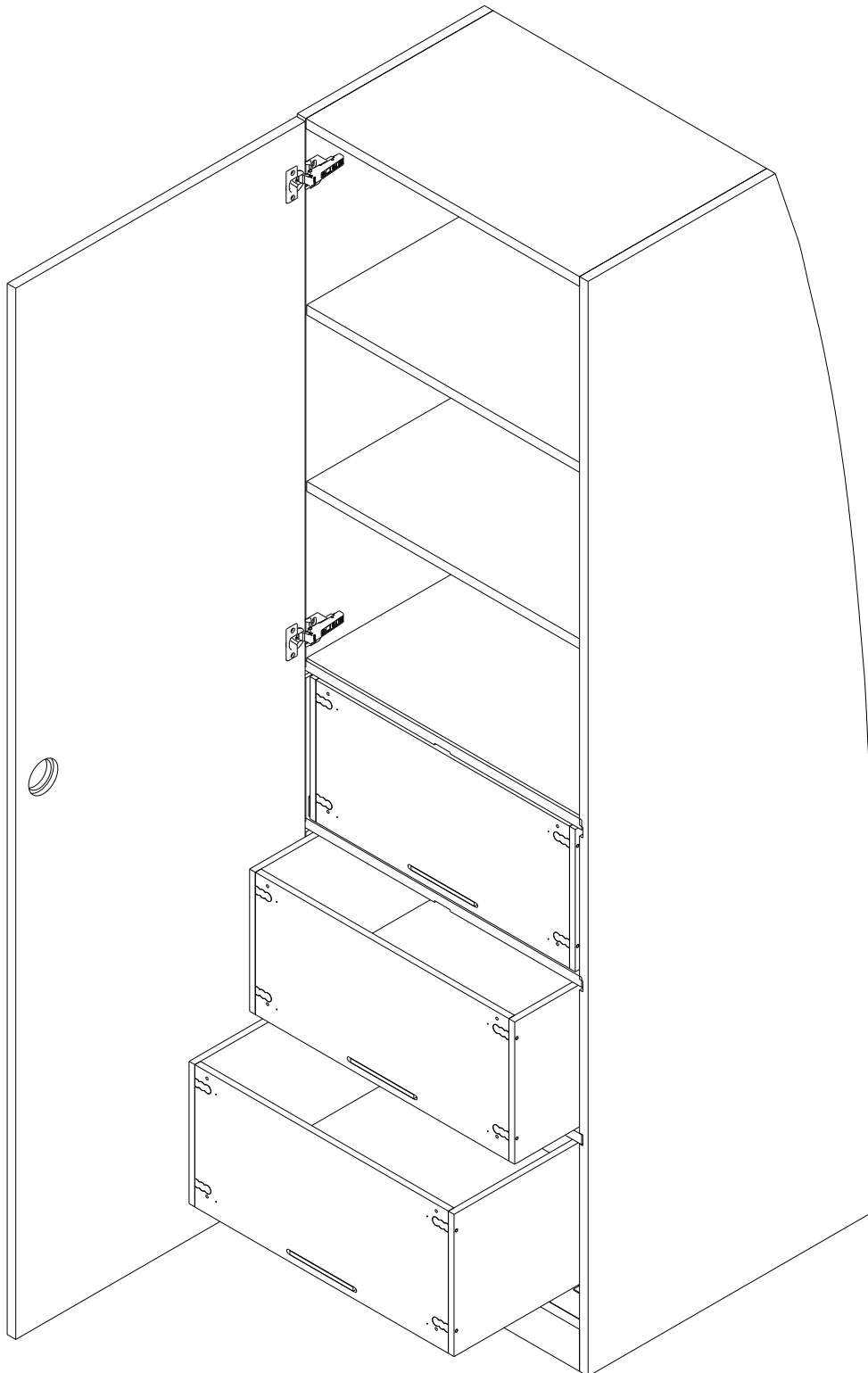
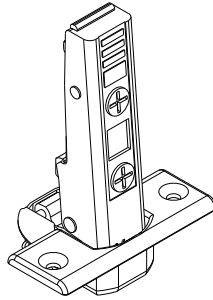


Van Armoire with Drawers

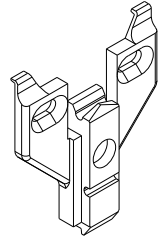




54x

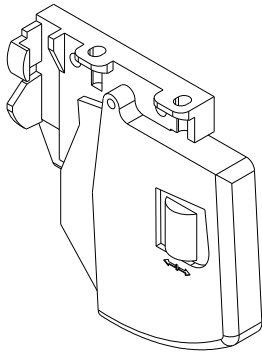


3x

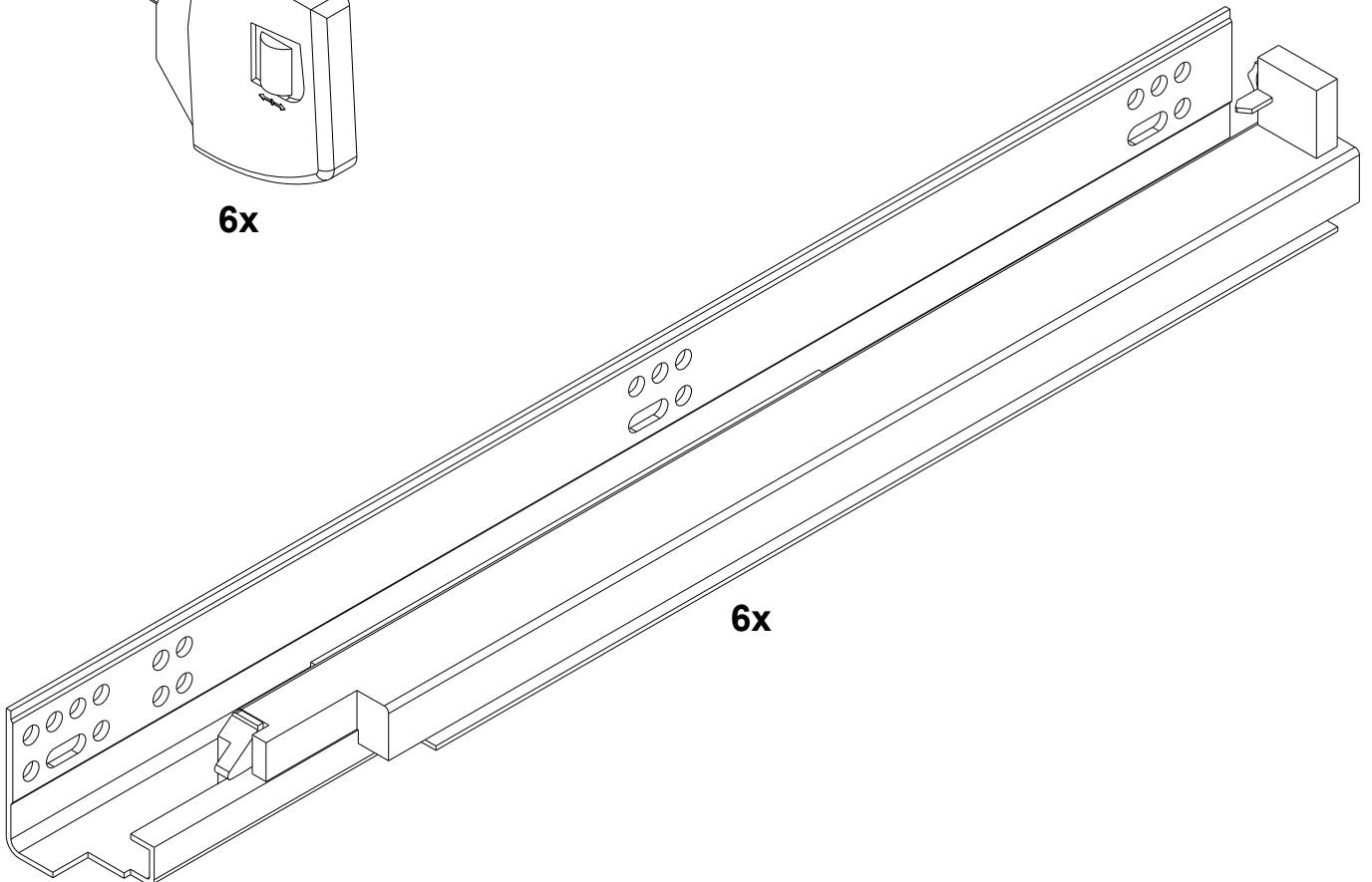


3x

****NOTE:** You may have side mount drawer slides, pictured are undermount drawer slides



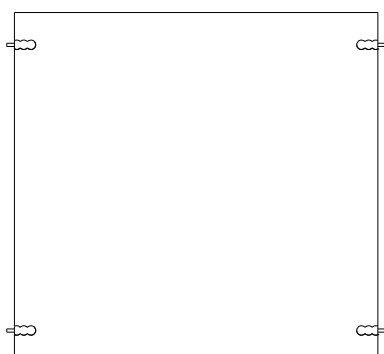
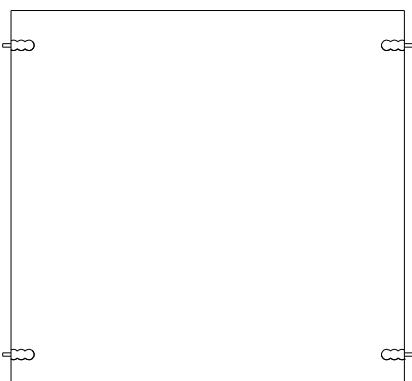
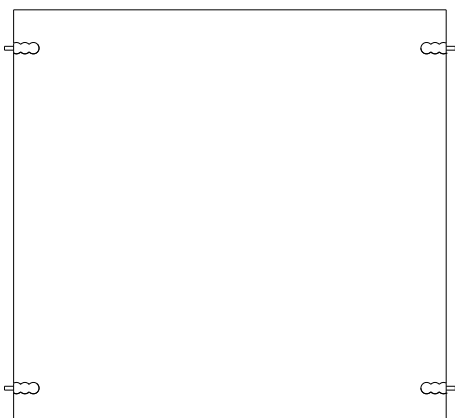
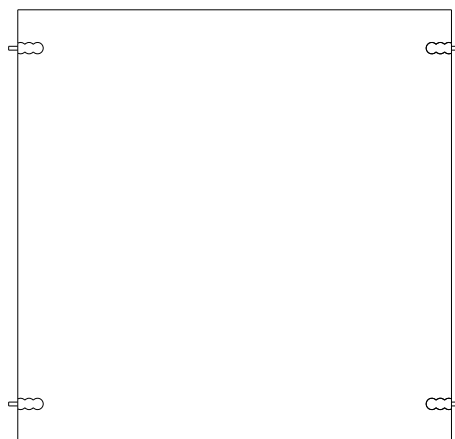
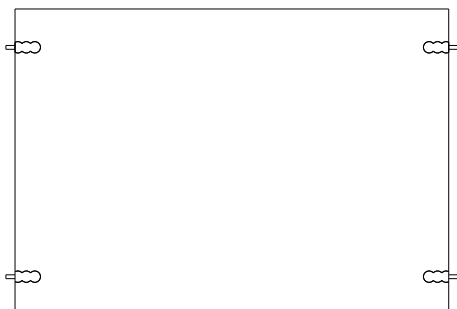
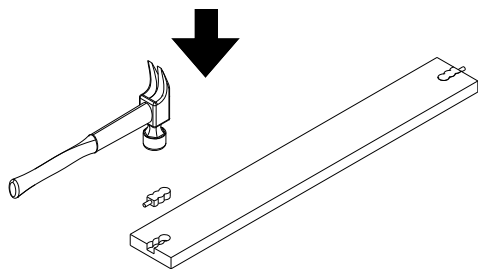
6x



6x

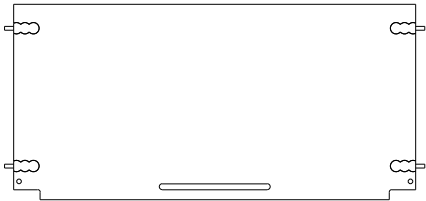
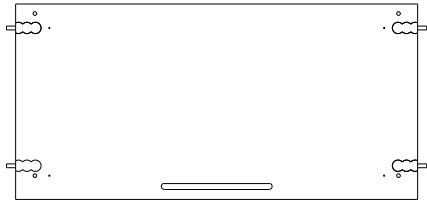
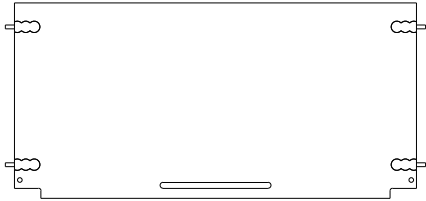
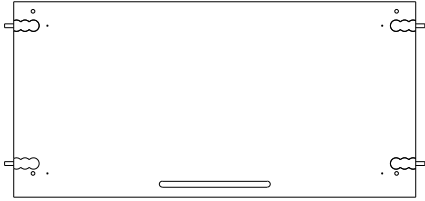
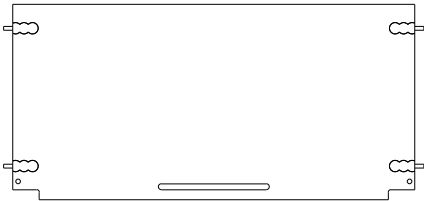
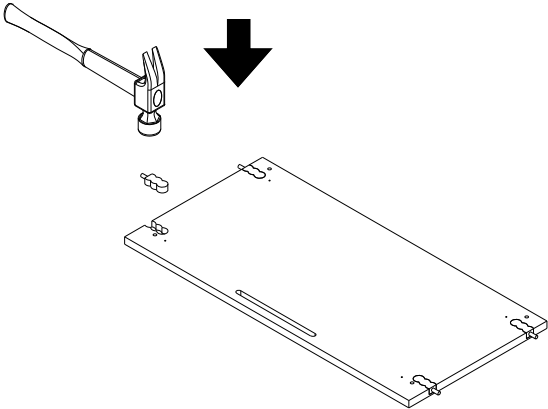
Step 1

Insert cabineos into armoire parts



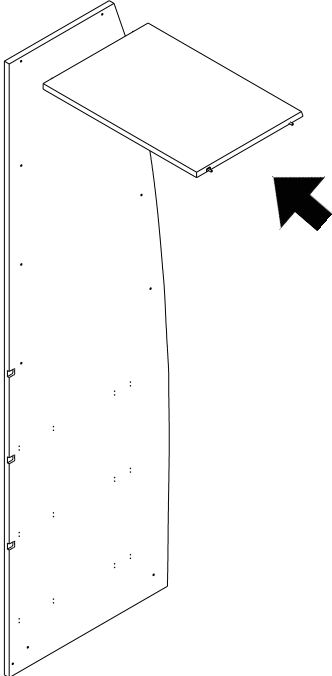
Step 2

Insert cabineos into drawer parts



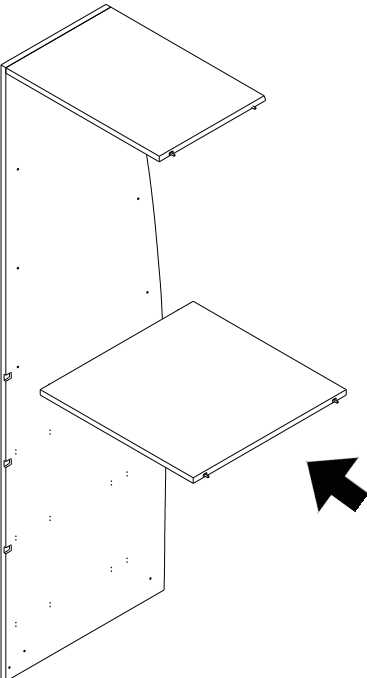
Step 3

Combine leftside with top



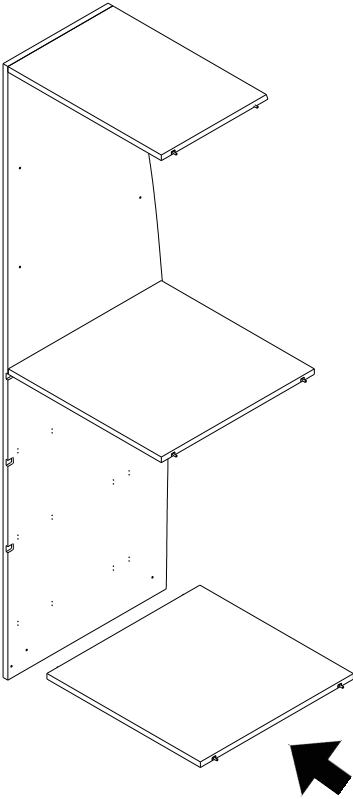
Step 4

Combine horizontal divider



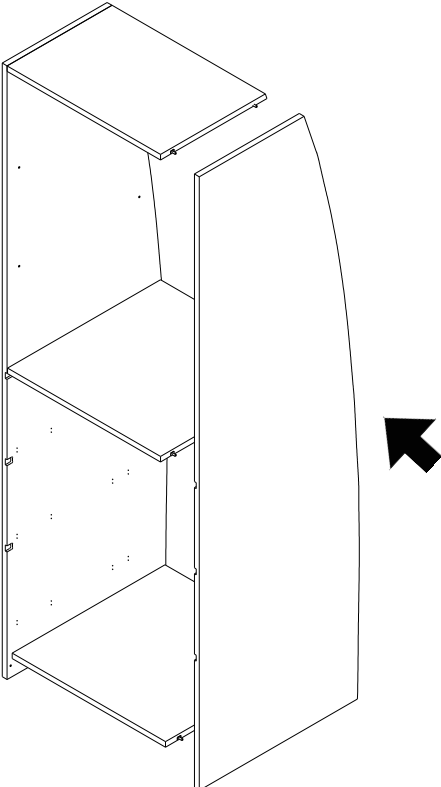
Step 5

Combine bottom



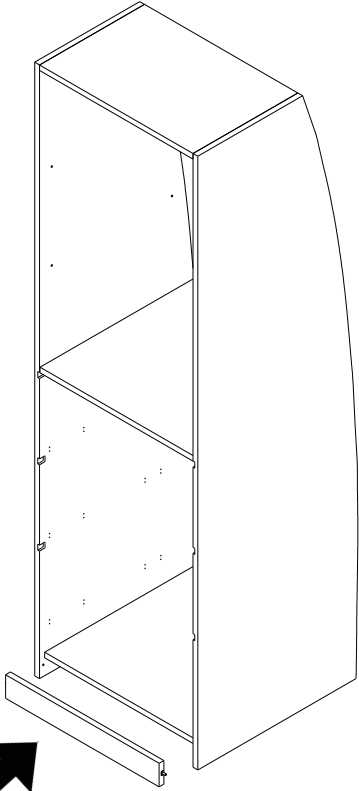
Step 6

Combine rightside



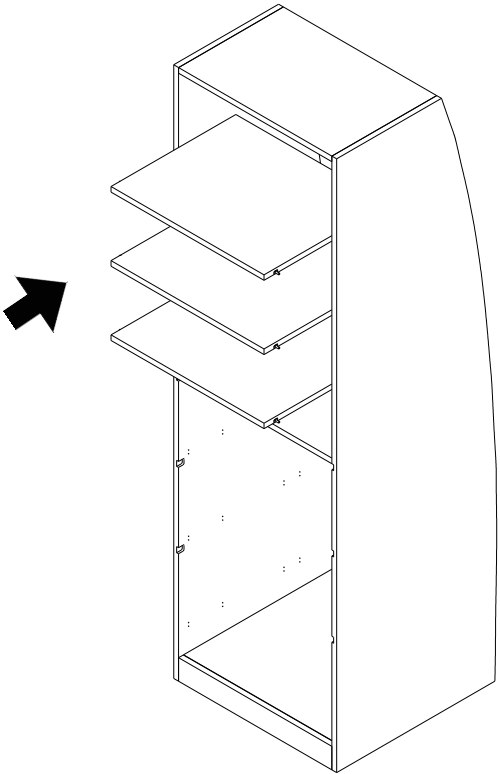
Step 7

Combine toe



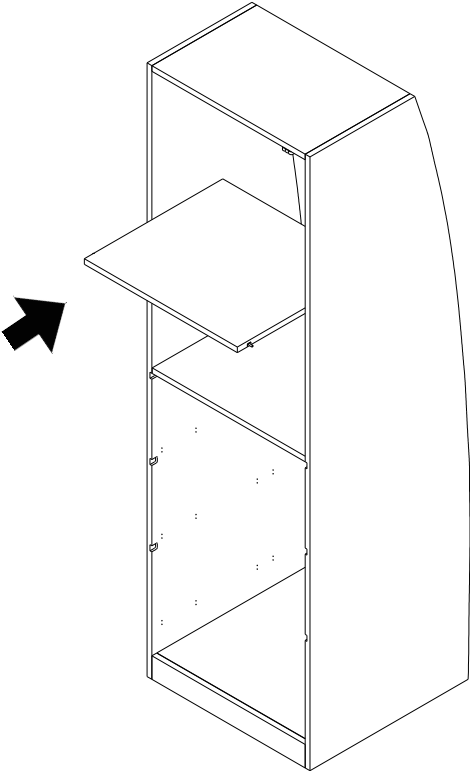
Step 8

3 shelves can be inserted according to our space requirement



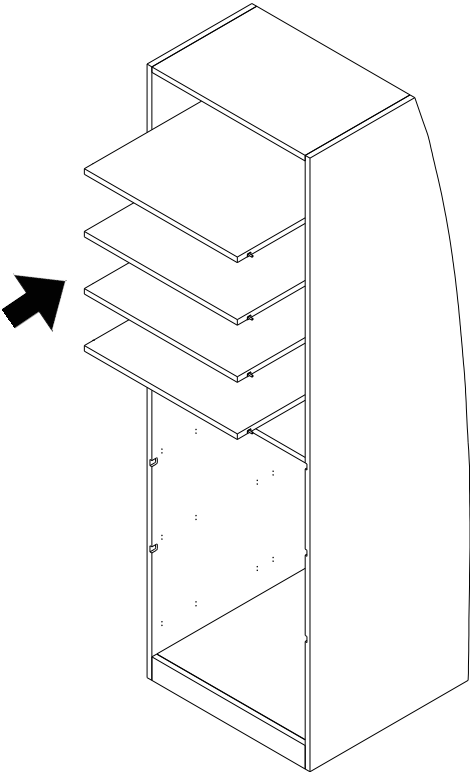
Step 9

1 shelves can be inserted according to our space requirement



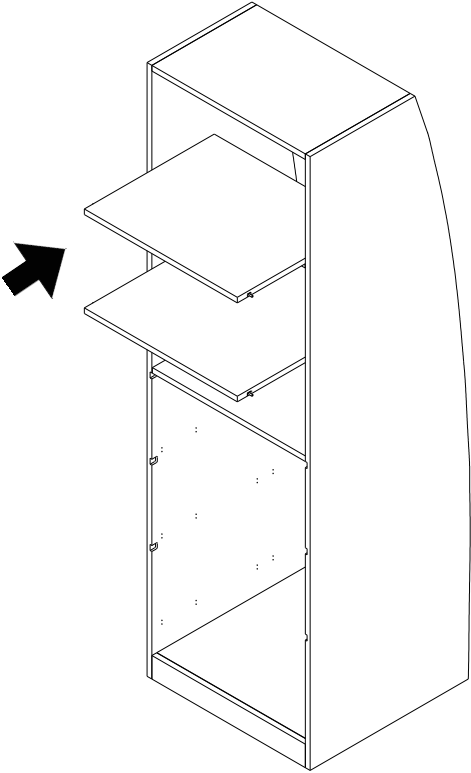
Step 10

4 shelves can be inserted according to our space requirement



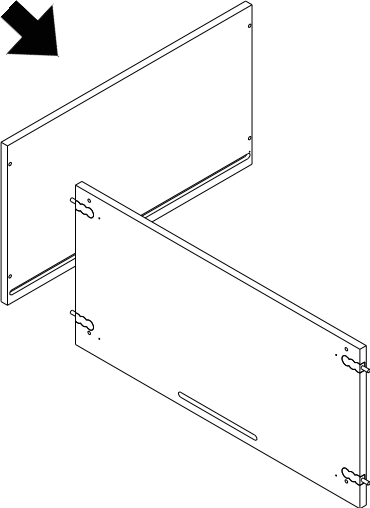
Step 11

2 shelves can be inserted according to our space requirement



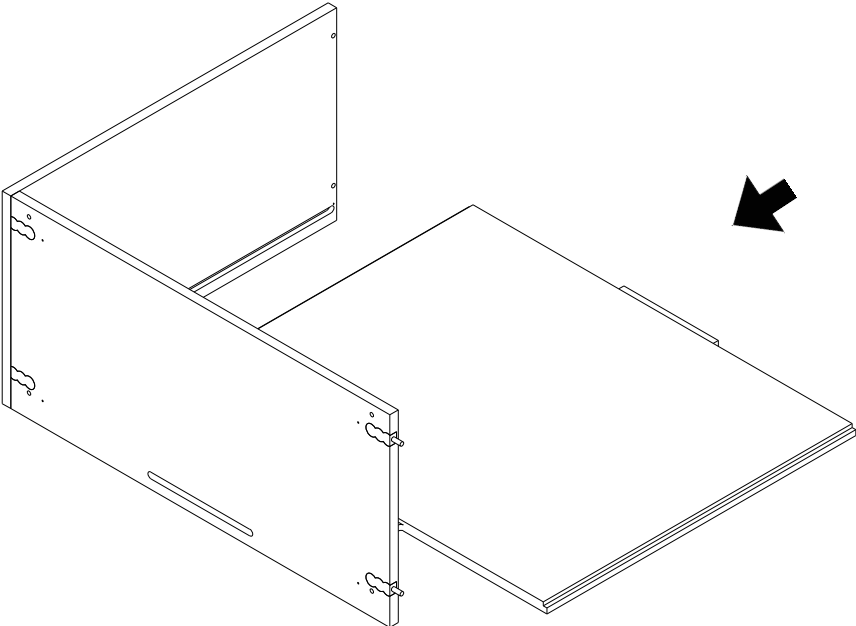
Step 12

Combine drawer side 1 to front



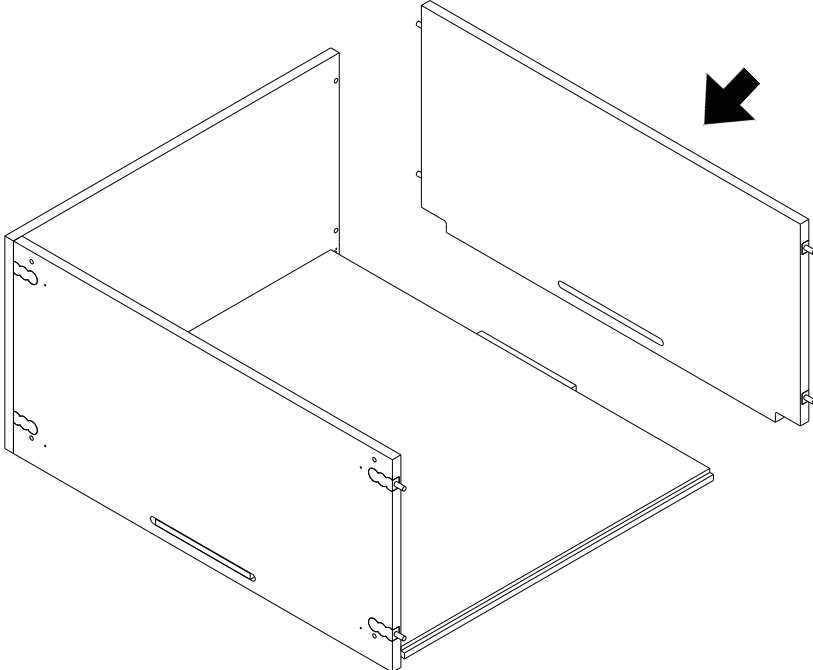
Step 13

Combine drawer bottom



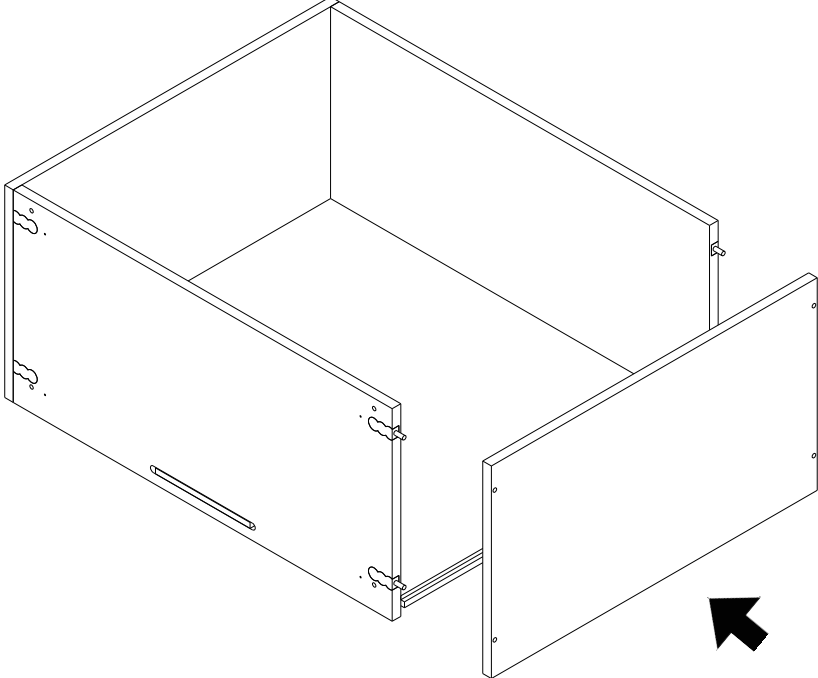
Step 14

Combine drawer rear



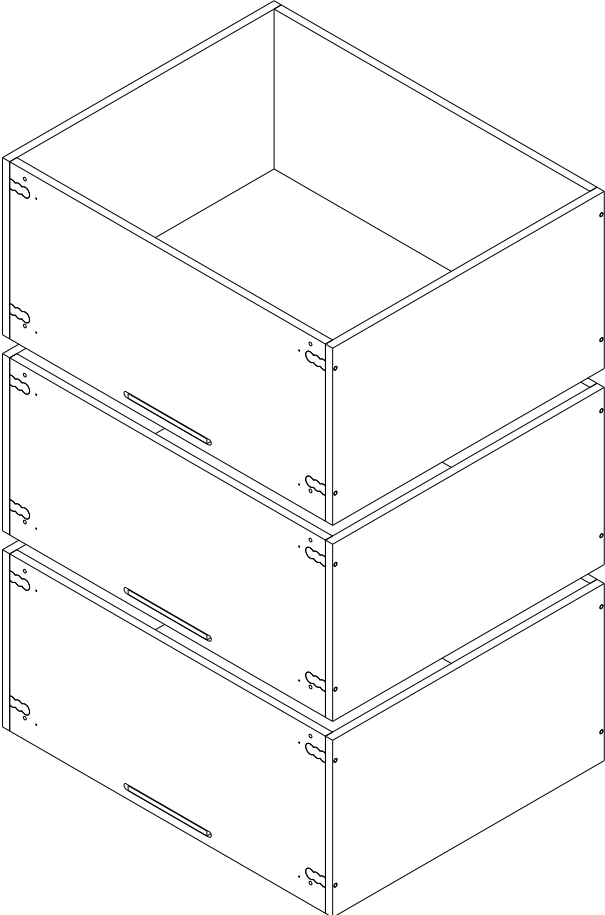
Step 15

Combine drawer side 2



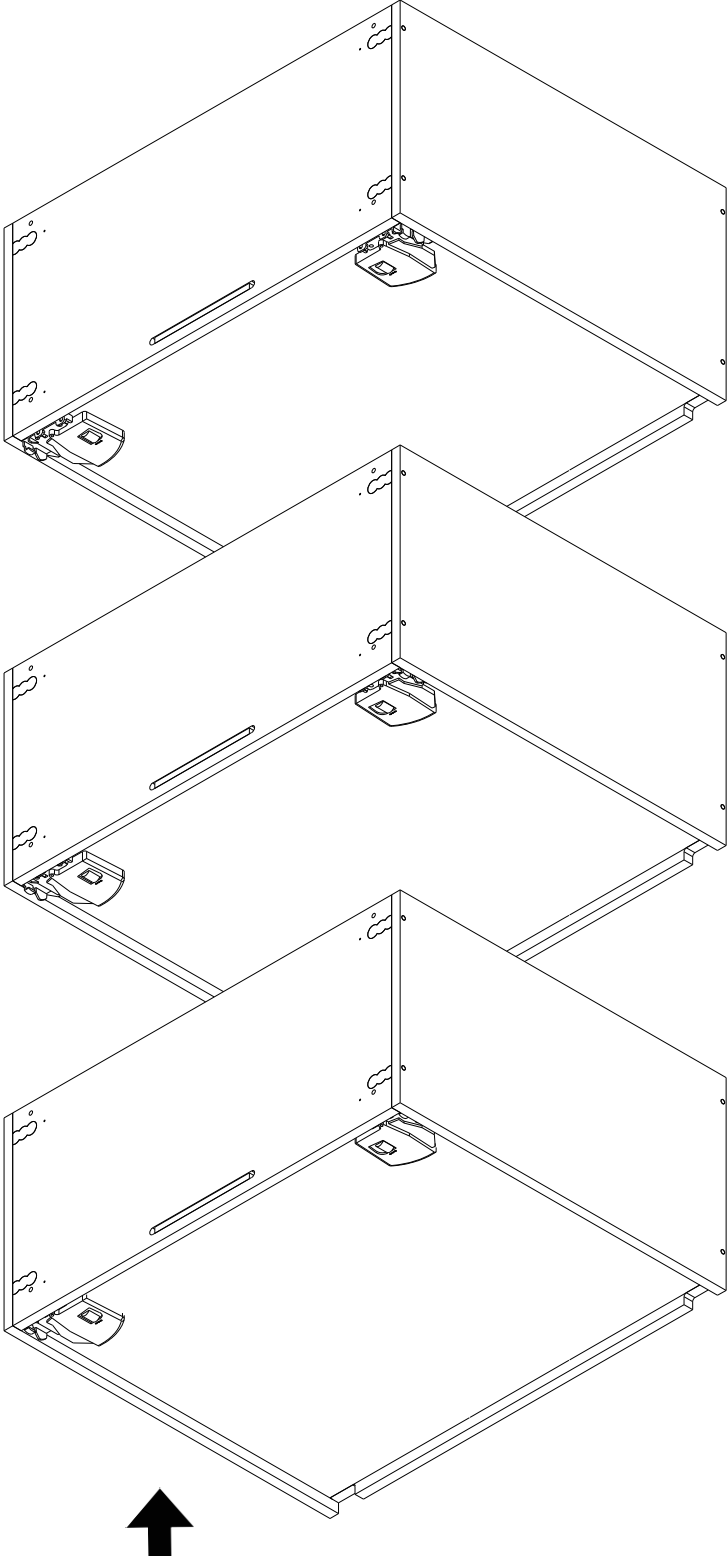
Step 16

We got three drawers by following step 12,13,14,15



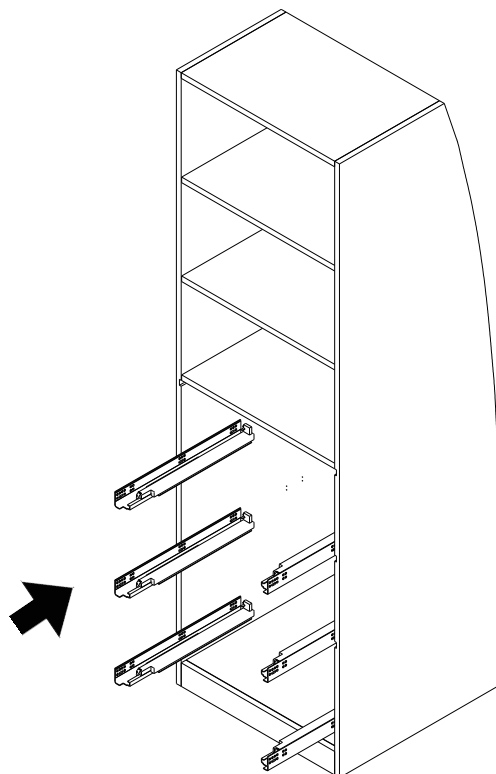
Step 17

Install clips on the bottom of all 3 drawers



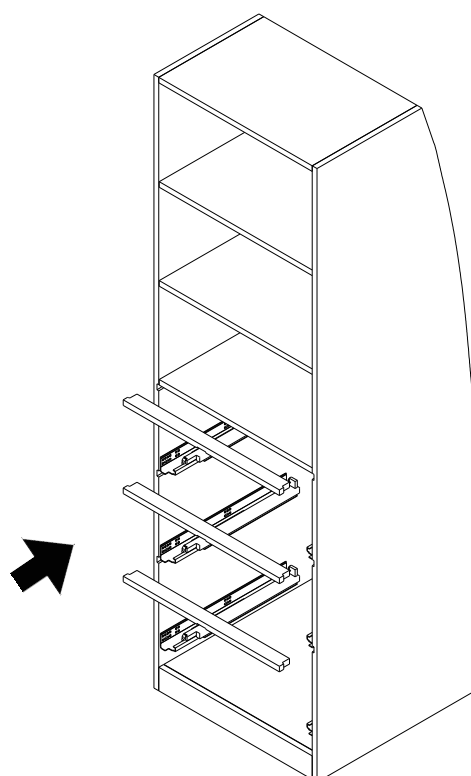
Step 18

Install drawer slides by the help of pilot holes



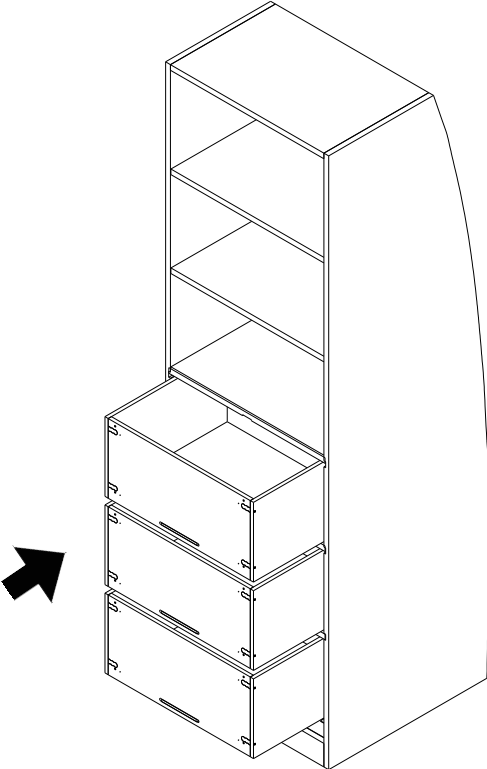
Step 19

Install supports for drawers



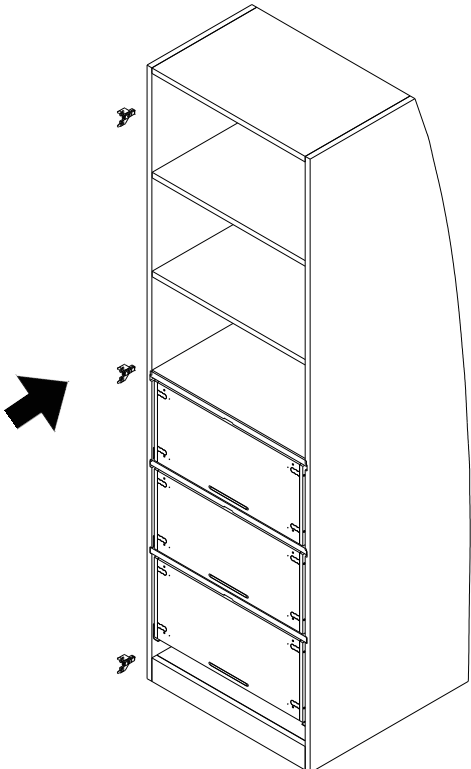
Step 20

Slide drawers inside (make sure latches clip on the slides)



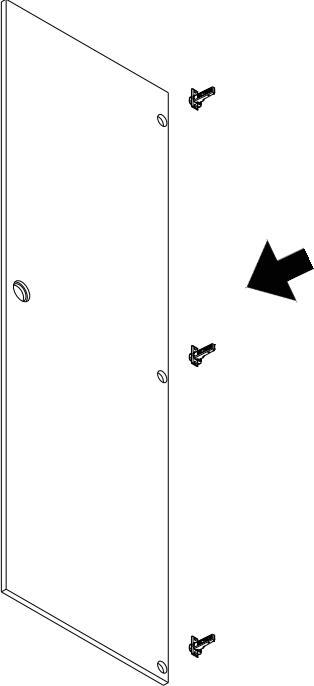
Step 21

Install mounting plate to box



Step 22

Connect hinge arm to door



Step 23

Install door to armoire
(press the hinge arm down until they snap to the plate)

